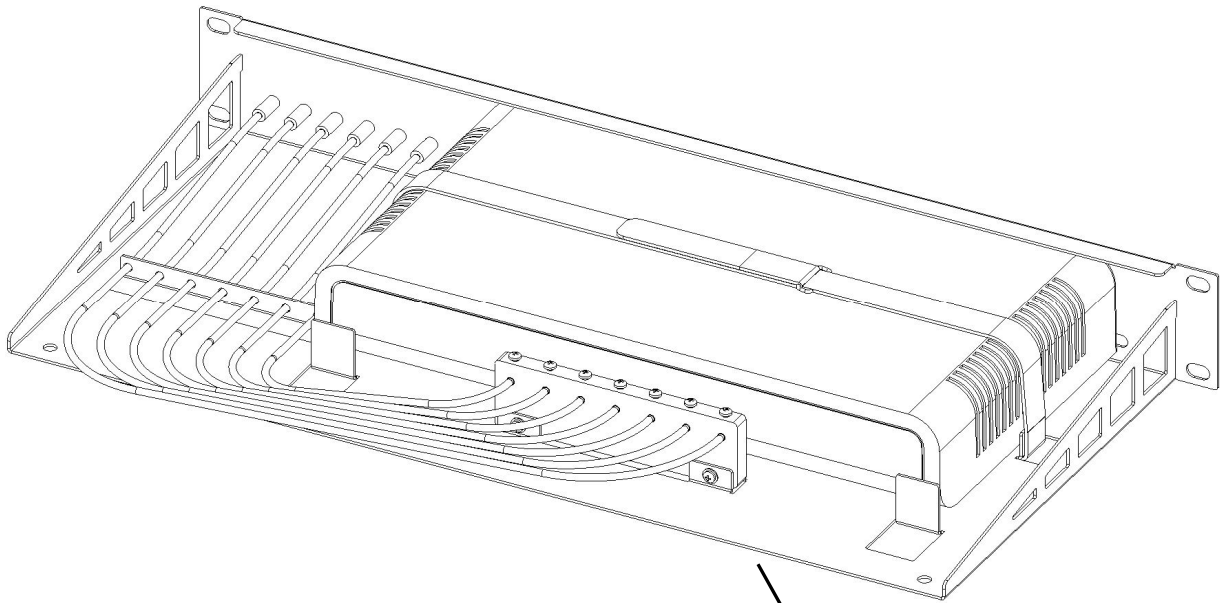


Assembly instructions

Effective step-by-step instructions to assemble your rack mount kits.

Assembly instructions
LED Light Guide Set 001
NM-AUD-001





1. Loosely pre-assemble the light pipe holder

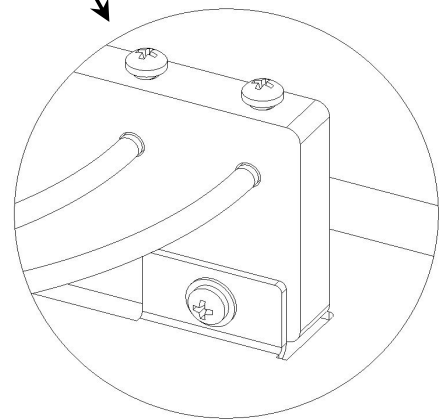
Fasten the light pipe holder loosely to the Rack Mount Kit with the fastening screws (included in the scope of supply).

2. Loosely mount the flexible light pipe

Fasten the light pipe(s) loosely to the light pipe holder with the fixing screw(s) (included in the scope of supply).

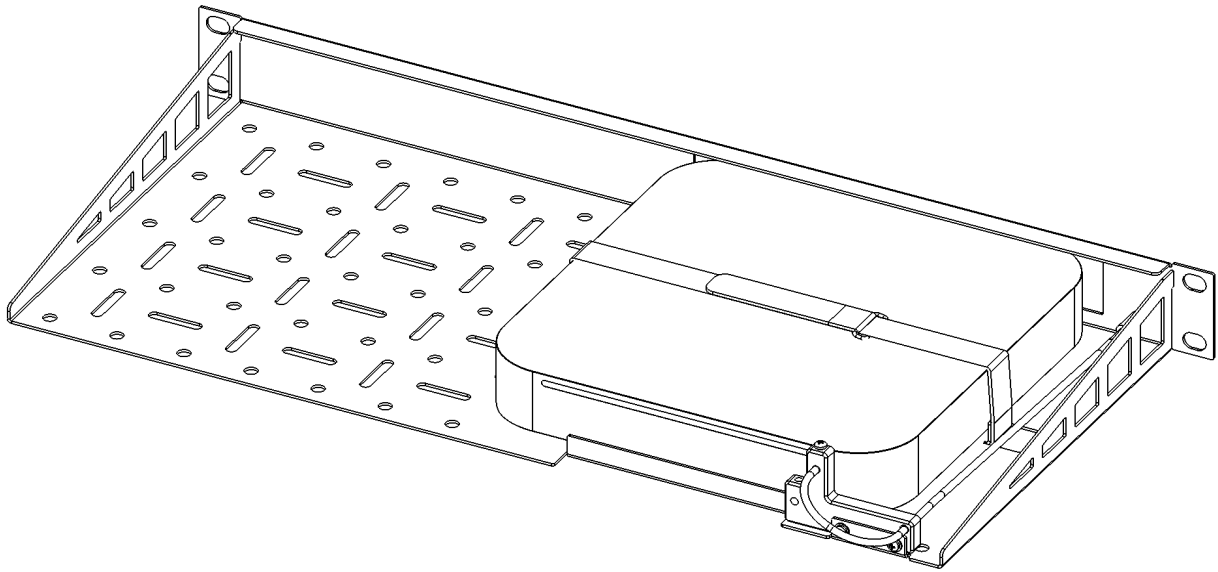
3. Fasten the light pipe holder and the flexible light pipe

Adjust the light pipe(s) for optimal illumination at the front of the Rack Mount Kit and tighten the screws.



Assembly instructions
LED Light Guide Set 002
UM-APP-001





1. Loosely pre-assemble the light pipe holder

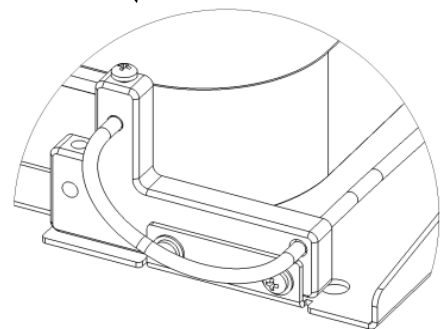
Fasten the light pipe holder loosely to the Rack Mount Kit with the fastening screws (included in the scope of supply).

2. Loosely mount the flexible light pipe

Fasten the light pipe loosely to the light pipe holder with the fixing screw(s) (included in the scope of supply).

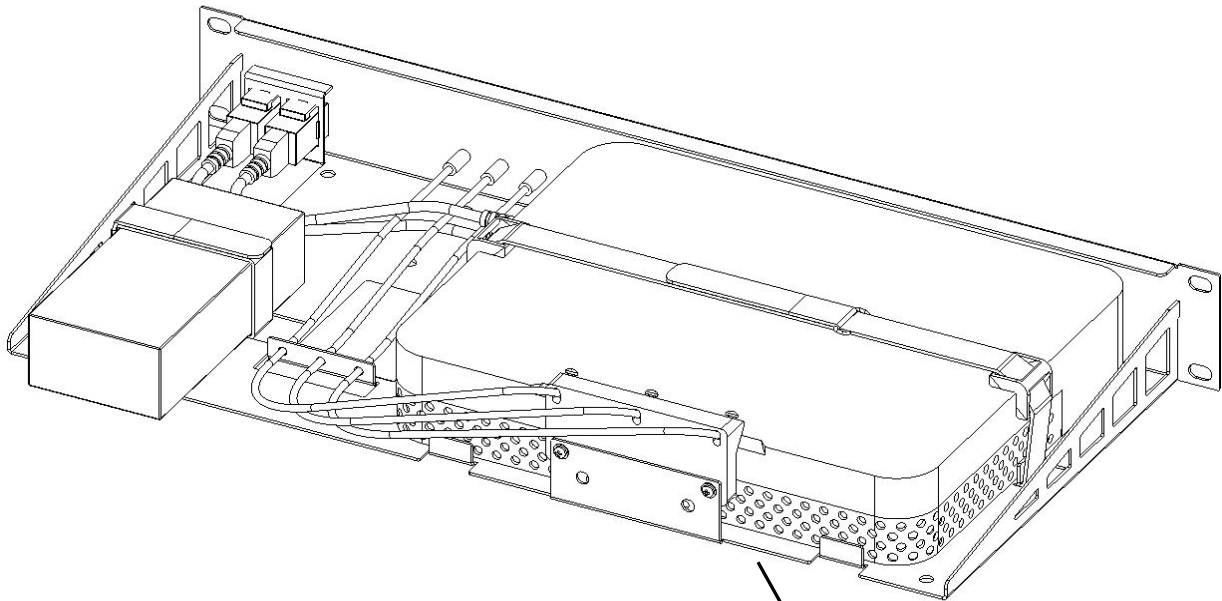
3. Fasten the light pipe holder and the flexible light pipe

Adjust the light pipe for optimal illumination at the front of the Rack Mount Kit and tighten the screws.



Assembly instructions
LED Light Guide Set 003
NM-NTG-002





1. Loosely pre-assemble the light pipe holder

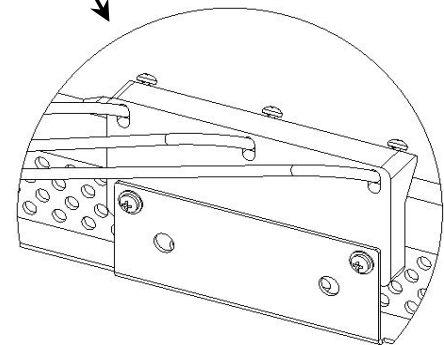
Fasten the light pipe holder loosely to the Rack Mount Kit with the fastening screws (included in the scope of supply).

2. Loosely mount the flexible light pipe

Fasten the light pipe(s) loosely to the light pipe holder with the fixing screw(s) (included in the scope of supply).

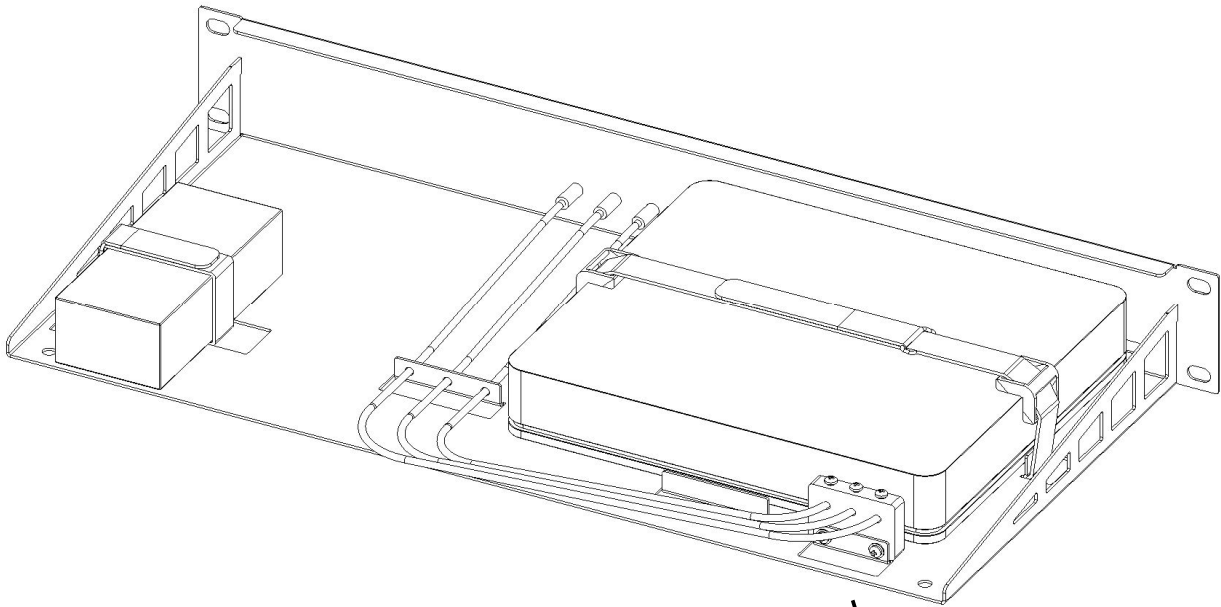
3. Fasten the light pipe holder and the flexible light pipe

Adjust the light pipe(s) for optimal illumination at the front of the Rack Mount Kit and tighten the screws.



Assembly instructions
LED Light Guide Set 004
NM-NTG-003





1. Loosely pre-assemble the light pipe holder

Fasten the light pipe holder loosely to the Rack Mount Kit with the fastening screws (included in the scope of supply).

2. Loosely mount the flexible light pipe

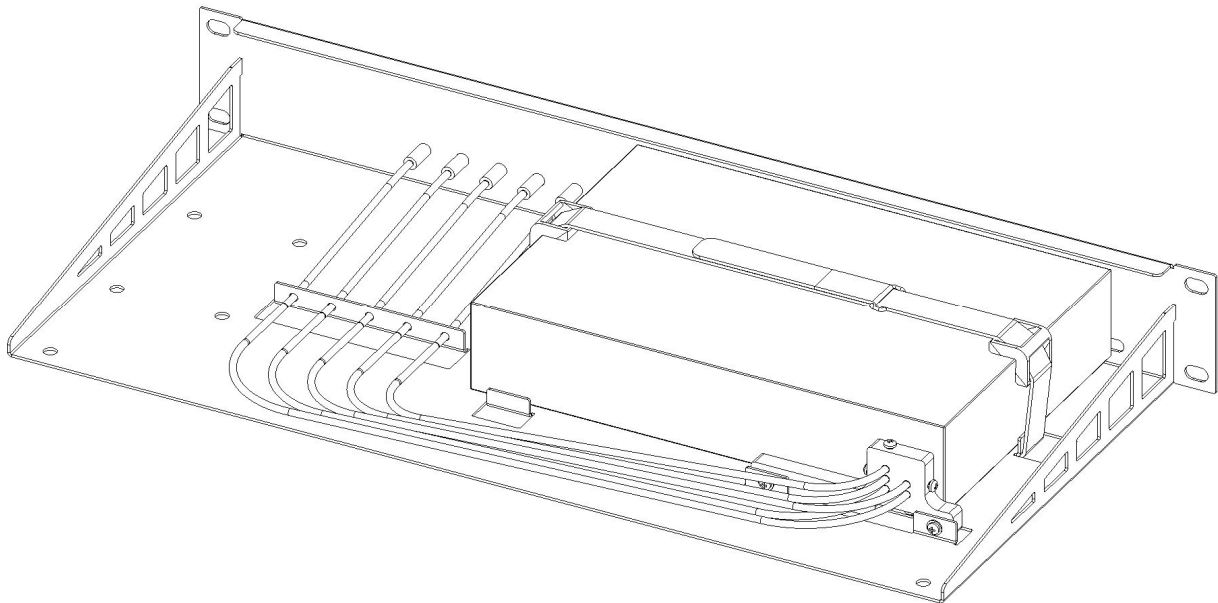
Fasten the light pipe(s) loosely to the light pipe holder with the fixing screw(s) (included in the scope of supply).

3. Fasten the light pipe holder and the flexible light pipe

Adjust the light pipe(s) for optimal illumination at the front of the Rack Mount Kit and tighten the screws.

Assembly instructions
LED Light Guide Set 006
NM-SOP-010





1. Loosely pre-assemble the light pipe holder

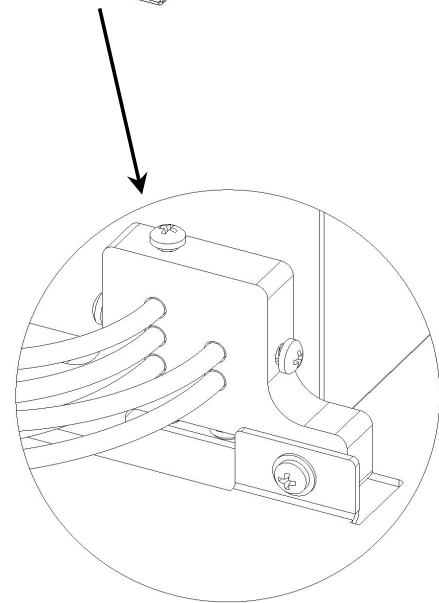
Fasten the light pipe holder loosely to the Rack Mount Kit with the fastening screws (included in the scope of supply).

2. Loosely mount the flexible light pipe

Fasten the light pipe(s) loosely to the light pipe holder with the fixing screw(s) (included in the scope of supply).

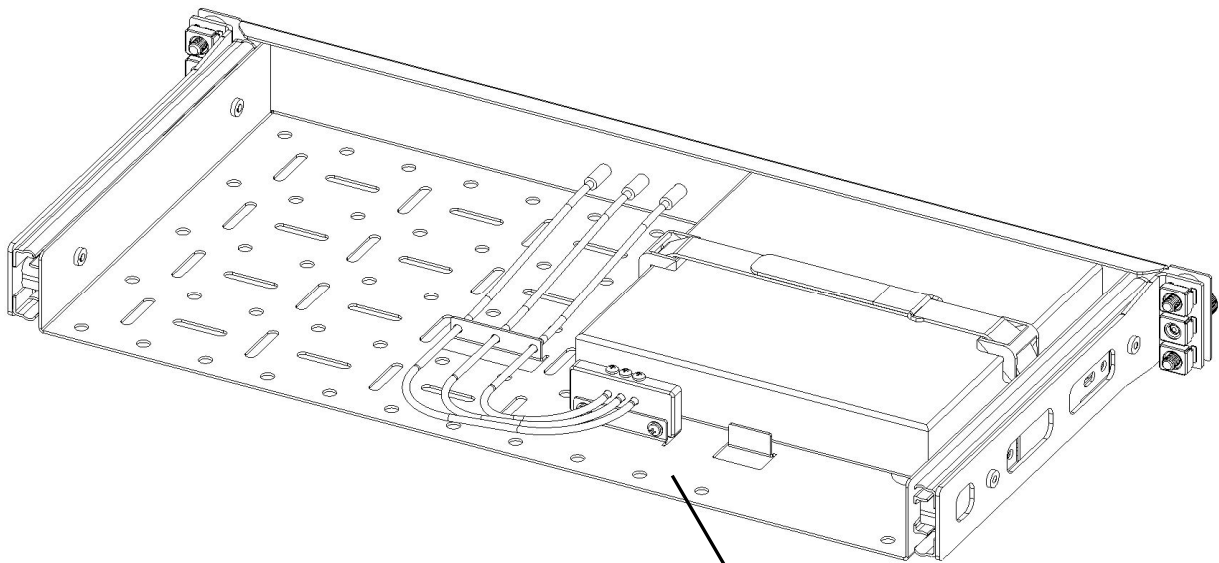
3. Fasten the light pipe holder and the flexible light pipe

Adjust the light pipe(s) for optimal illumination at the front of the Rack Mount Kit and tighten the screws.



Assembly instructions
LED Light Guide Set 007
UM-PCE-201





1. Loosely pre-assemble the light pipe holder

Fasten the light pipe holder loosely to the Rack Mount Kit with the fastening screws (included in the scope of supply).

2. Loosely mount the flexible light pipe

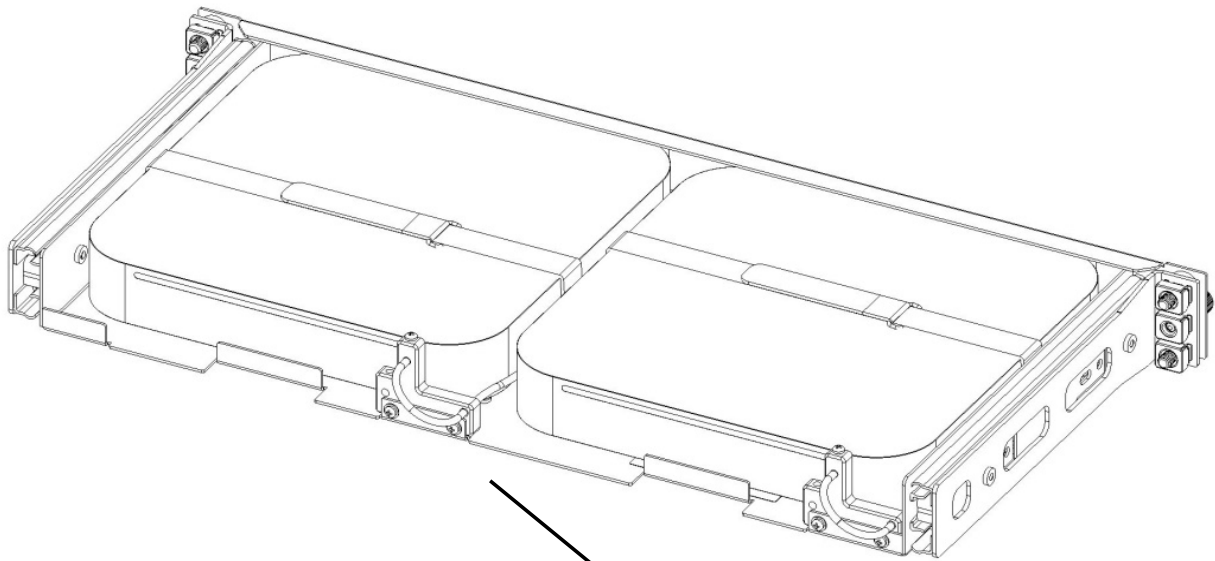
Fasten the light pipe(s) loosely to the light pipe holder with the fixing screw(s) (included in the scope of supply).

3. Fasten the light pipe holder and the flexible light pipe

Adjust the light pipe(s) for optimal illumination at the front of the Rack Mount Kit and tighten the screws.

Assembly instructions
LED Light Guide Set 008
UM-APP-206





1. Loosely pre-assemble the light pipe holder

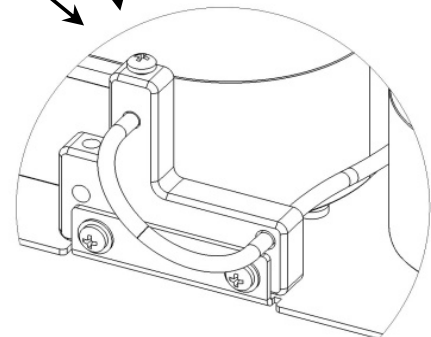
Fasten the light pipe holder loosely to the Rack Mount Kit with the fastening screws (included in the scope of supply).

2. Loosely mount the flexible light pipe

Fasten the light pipe(s) loosely to the light pipe holder with the fixing screw(s) (included in the scope of supply).

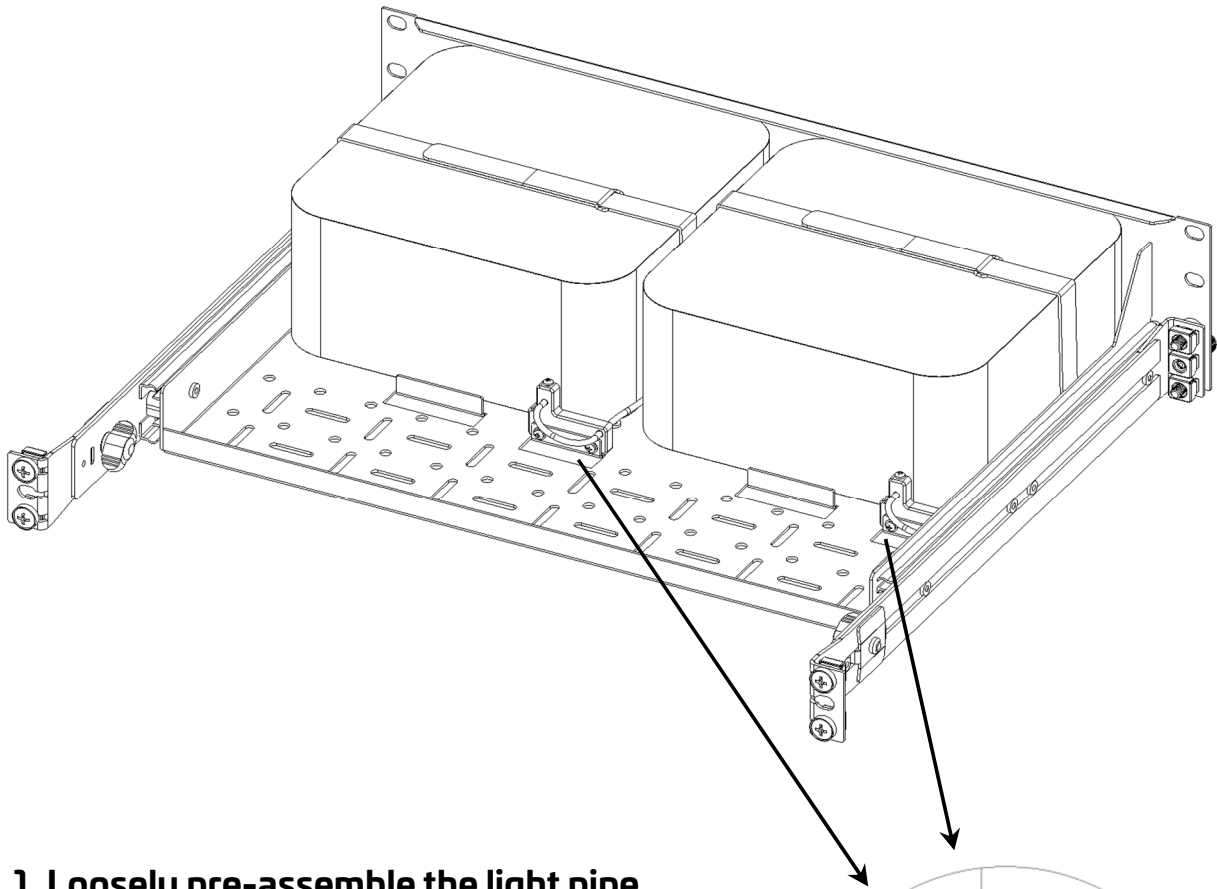
3. Fasten the light pipe holder and the flexible light pipe

Adjust the light pipe(s) for optimal illumination at the front of the Rack Mount Kit and tighten the screws.



Assembly instructions
LED Light Guide Set 009
UM-APP-204





1. Loosely pre-assemble the light pipe holder

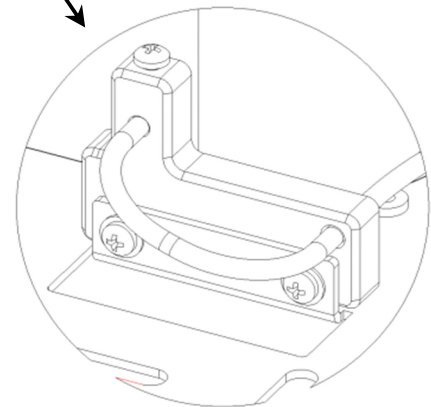
Fasten the light pipe holder loosely to the Rack Mount Kit with the fastening screws (included in the scope of supply).

2. Loosely mount the flexible light pipe

Fasten the light pipe(s) loosely to the light pipe holder with the fixing screw(s) (included in the scope of supply).

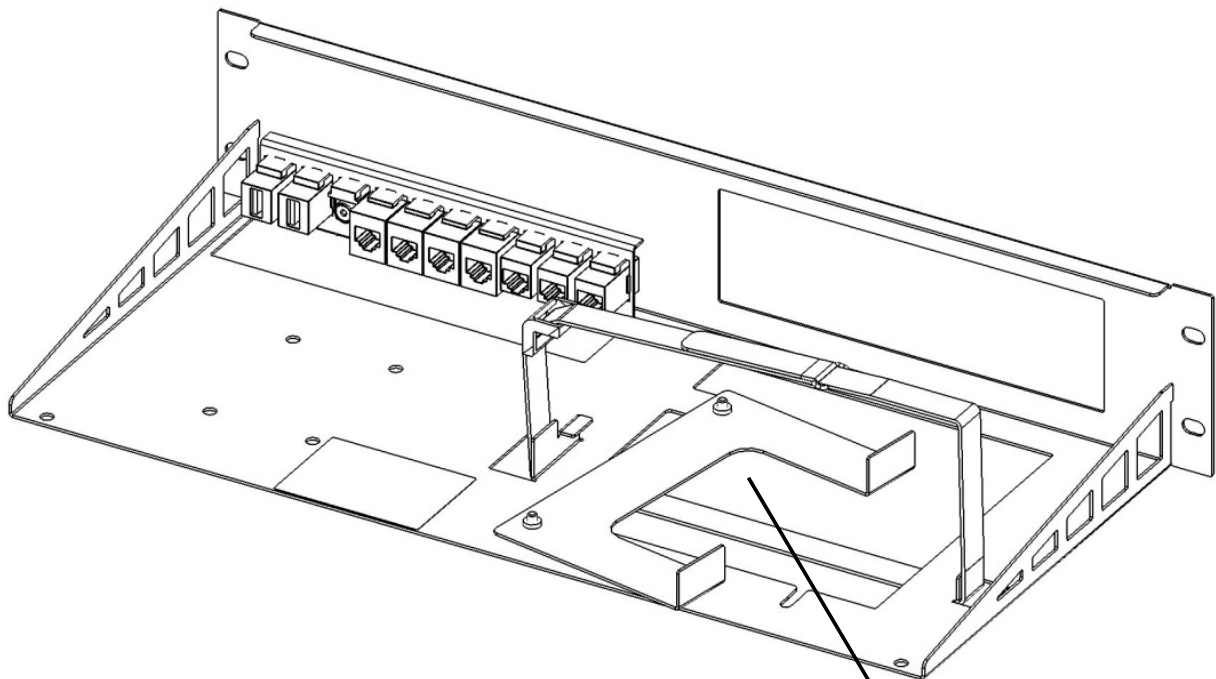
3. Fasten the light pipe holder and the flexible light pipe

Adjust the light pipe(s) for optimal illumination at the front of the Rack Mount Kit and tighten the screws.



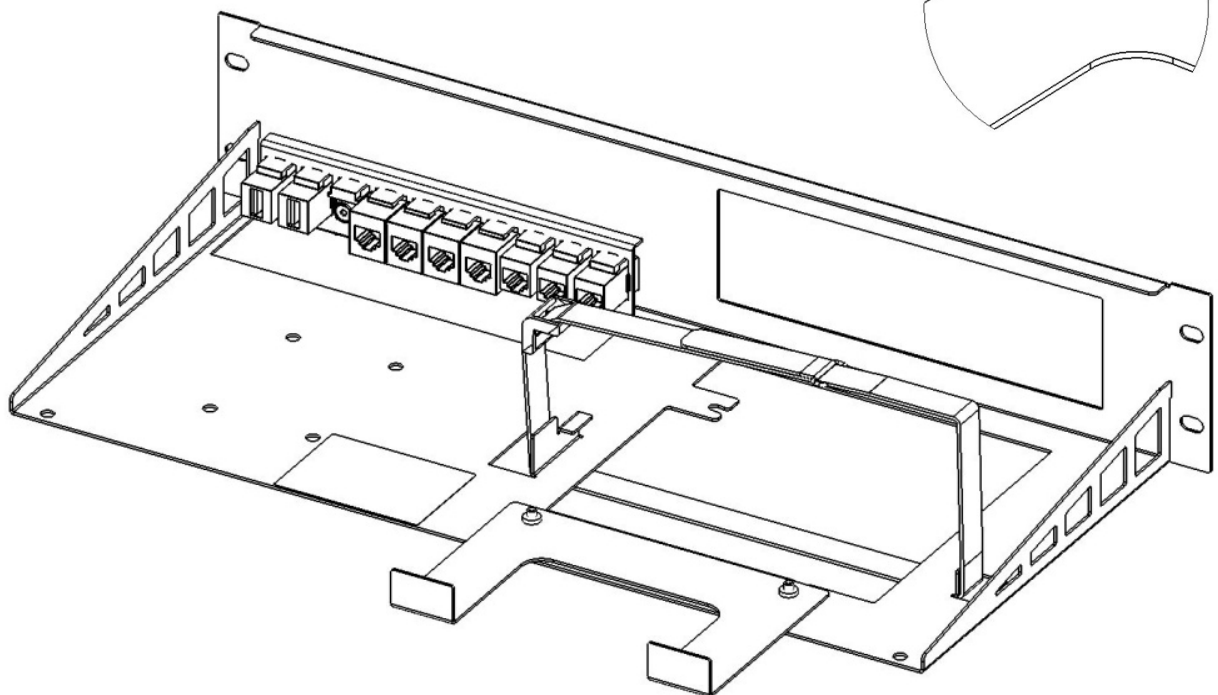
Assembly instructions NM-AVM-007

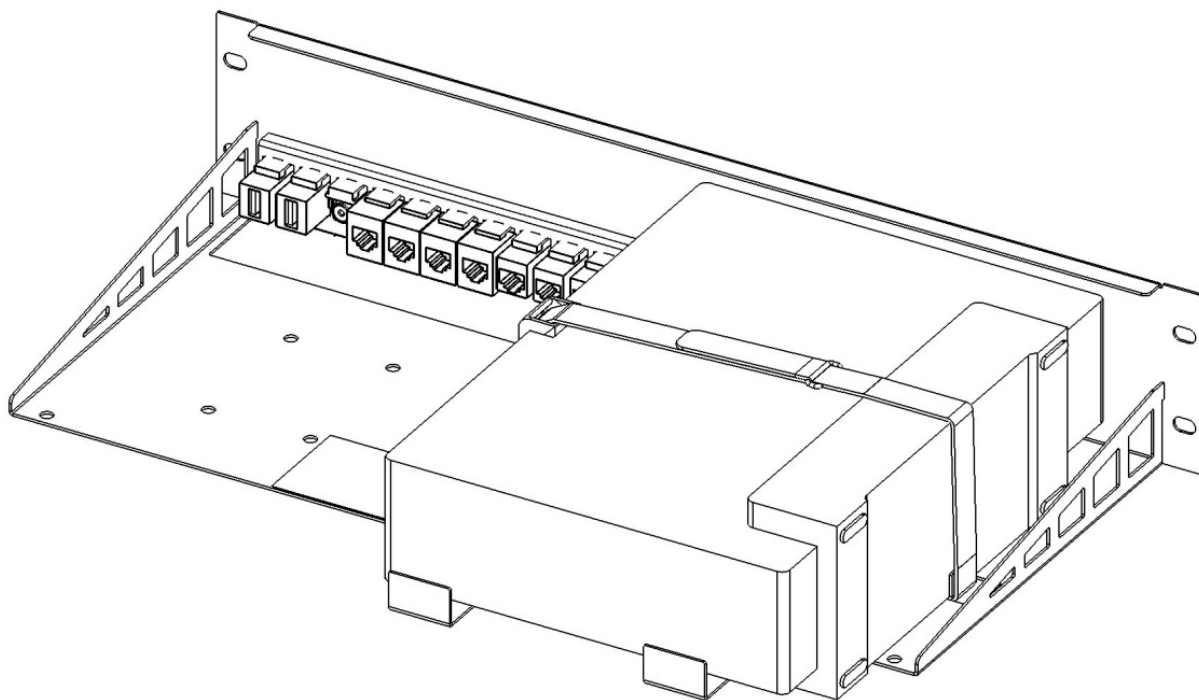




1. Loosen screws

Loosen the two pre-assembled screws and swivel the retaining bracket into the appropriate position for inserting the device.





2. Insert device

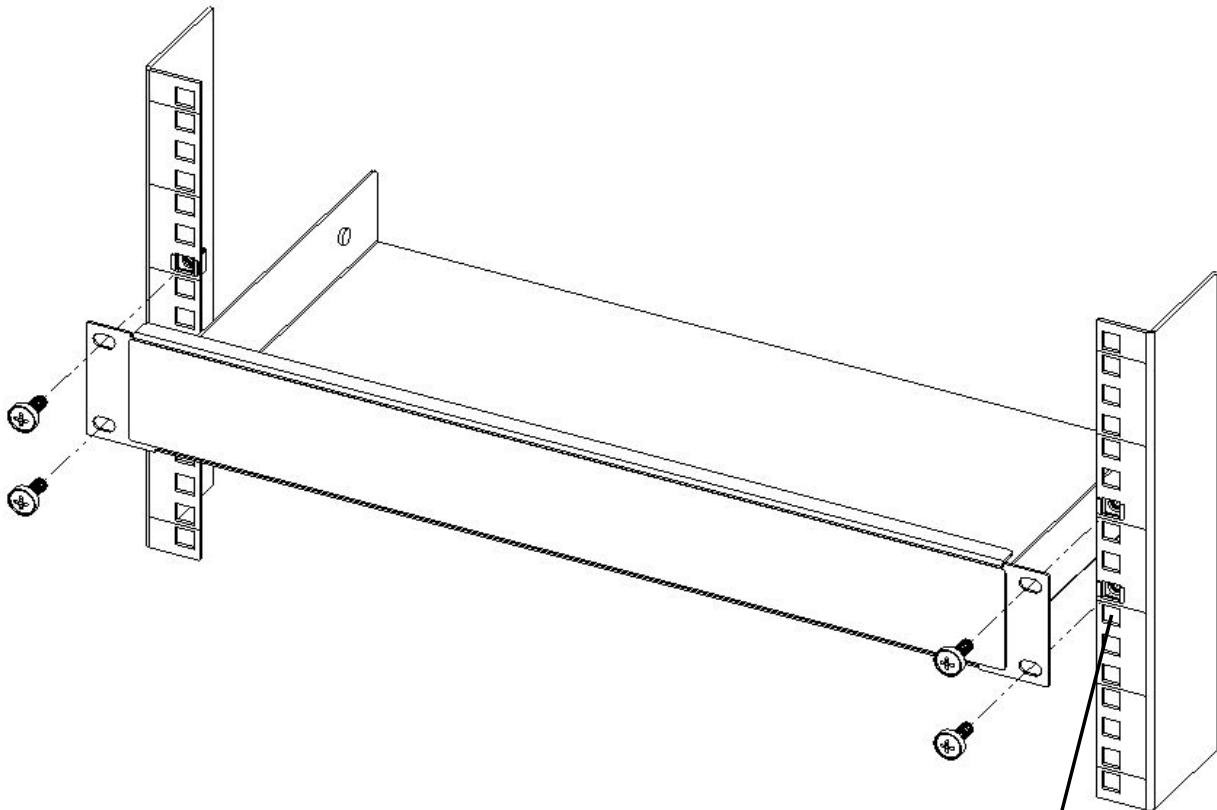
Insert the device into the appropriate position on the Rack Mount Kit.

3. Fasten retaining bracket

Align the retaining bracket and tighten the screws.

Assembly instructions Rack Mount Screw Set



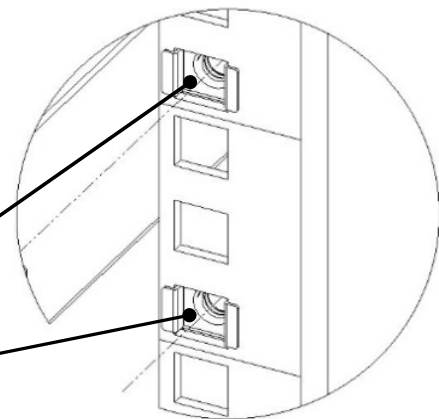


Fasten the Rack Mount Kit in the server cabinet

Position the Rack Mount Kit at the desired height in your server cabinet and fasten it with the rackmount screws (included in the scope of supply).

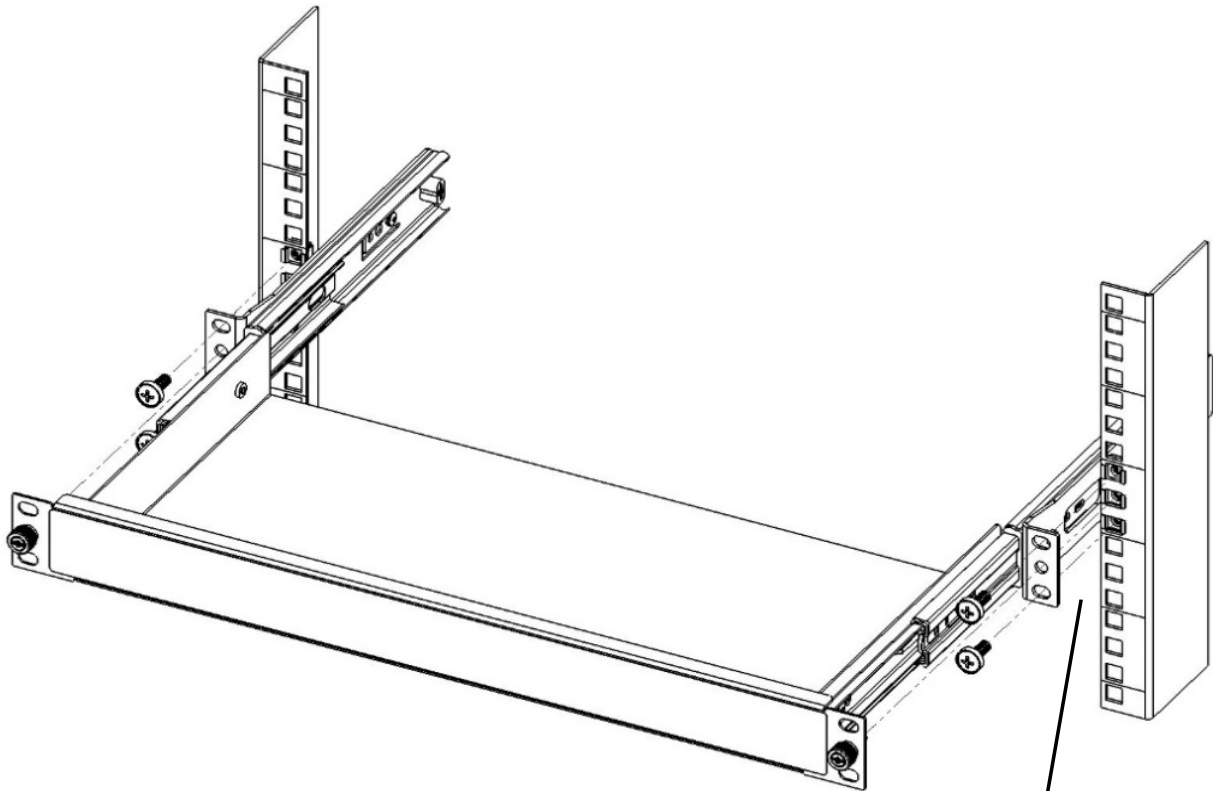
Detail only for Square Rack Hole Mounting!

Cage Nut M6 (black)



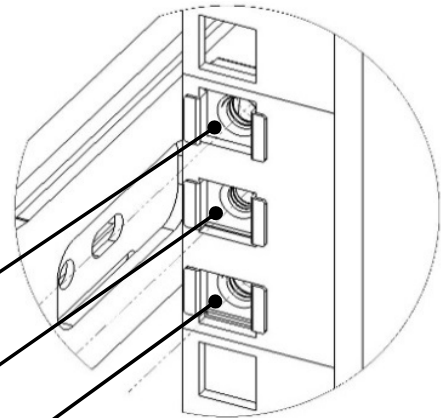
Assembly instructions Rail System 002





Fasten Rack Mount Kit with Rail System in the server cabinet

Position the Rack Mount Kit at the desired height in your server cabinet and fasten it with the rackmount screws M6x16 (included in the scope of supply).



**Detail only for
Square Rack Hole Mounting!**

Cage Nut M6 (black)

Cage Nut M5 (silber)

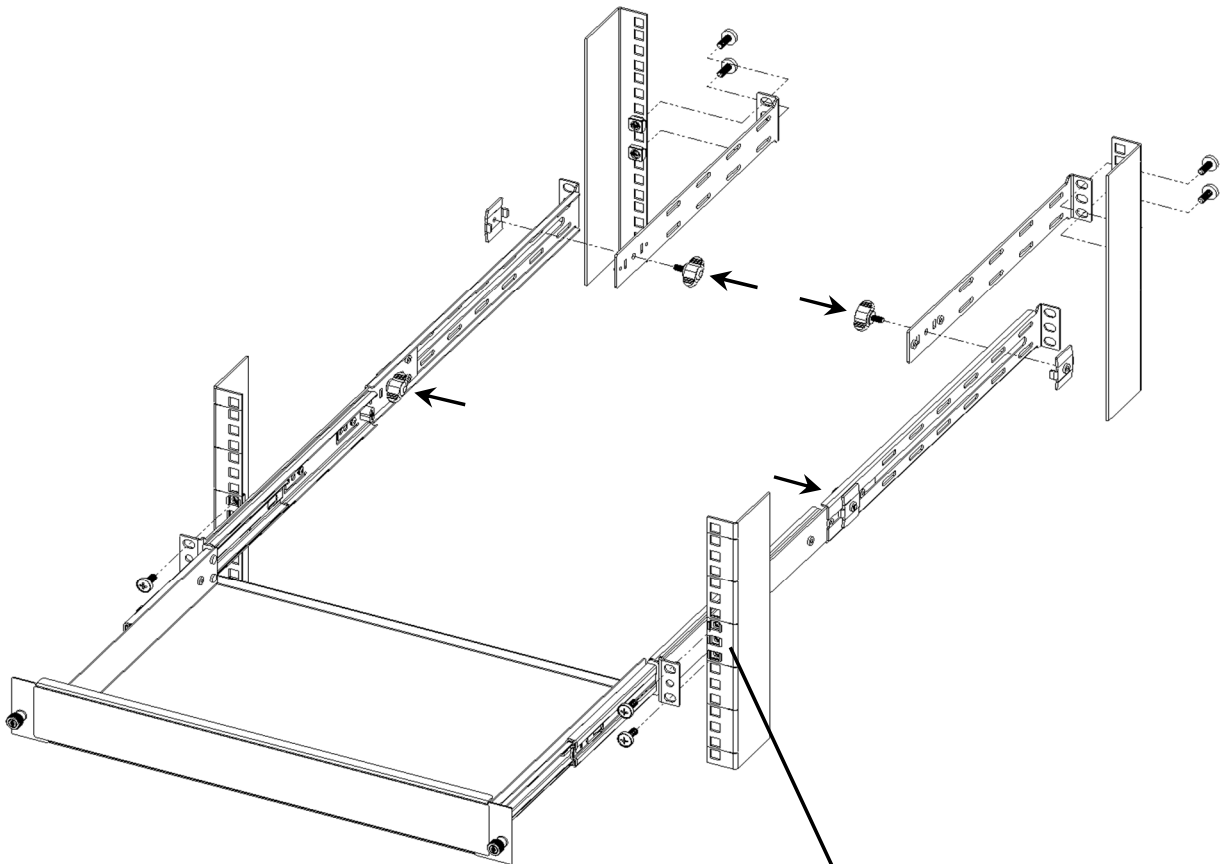
Cage Nut M6 (black)

Assembly instructions

Rail System 005

Extension 300mm | Cabinet depths of 400mm to 900mm





4. Fasten Rack Mount Kit with Rail System in the server cabinet

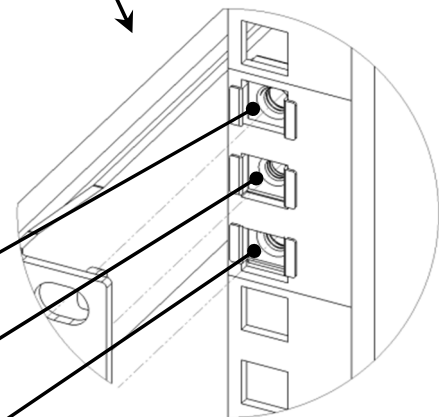
Position the Rack Mount Kit at the desired height in your server cabinet and fasten it with the rackmount screws M6x16 (included in the scope of supply).

Detail only for Square Rack Hole Mounting!

Cage Nut M6 (black)

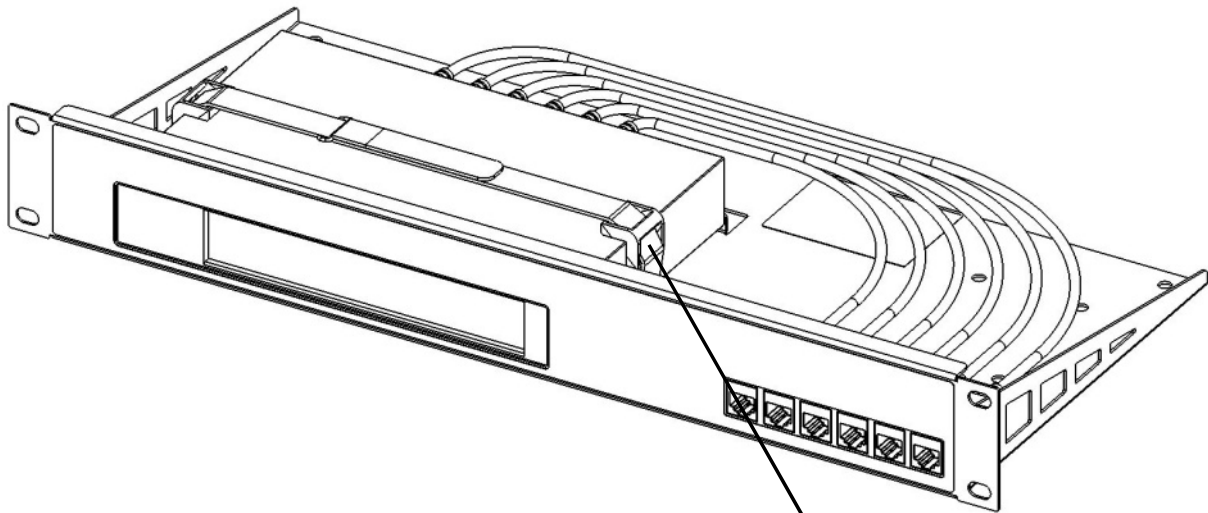
Cage Nut M5 (silber)

Cage Nut M6 (black)



Assembly instructions Velcro strap with spacer



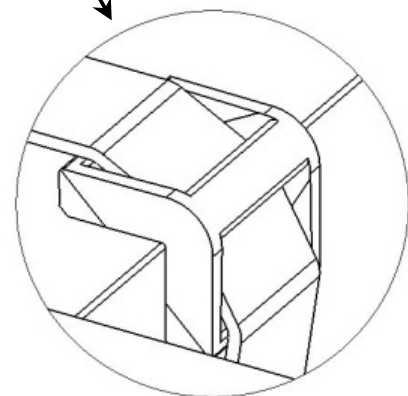


1. Loosen the Velcro strap

Loosen the pre-assembled Velcro strap and insert the device into the appropriate position on the Rack Mount Kit.

2. Tighten the Velcro strap

Tighten the Velcro strap again, making sure that the two spacers are positioned on the upper edges of the device as shown to ensure adequate ventilation of the device.

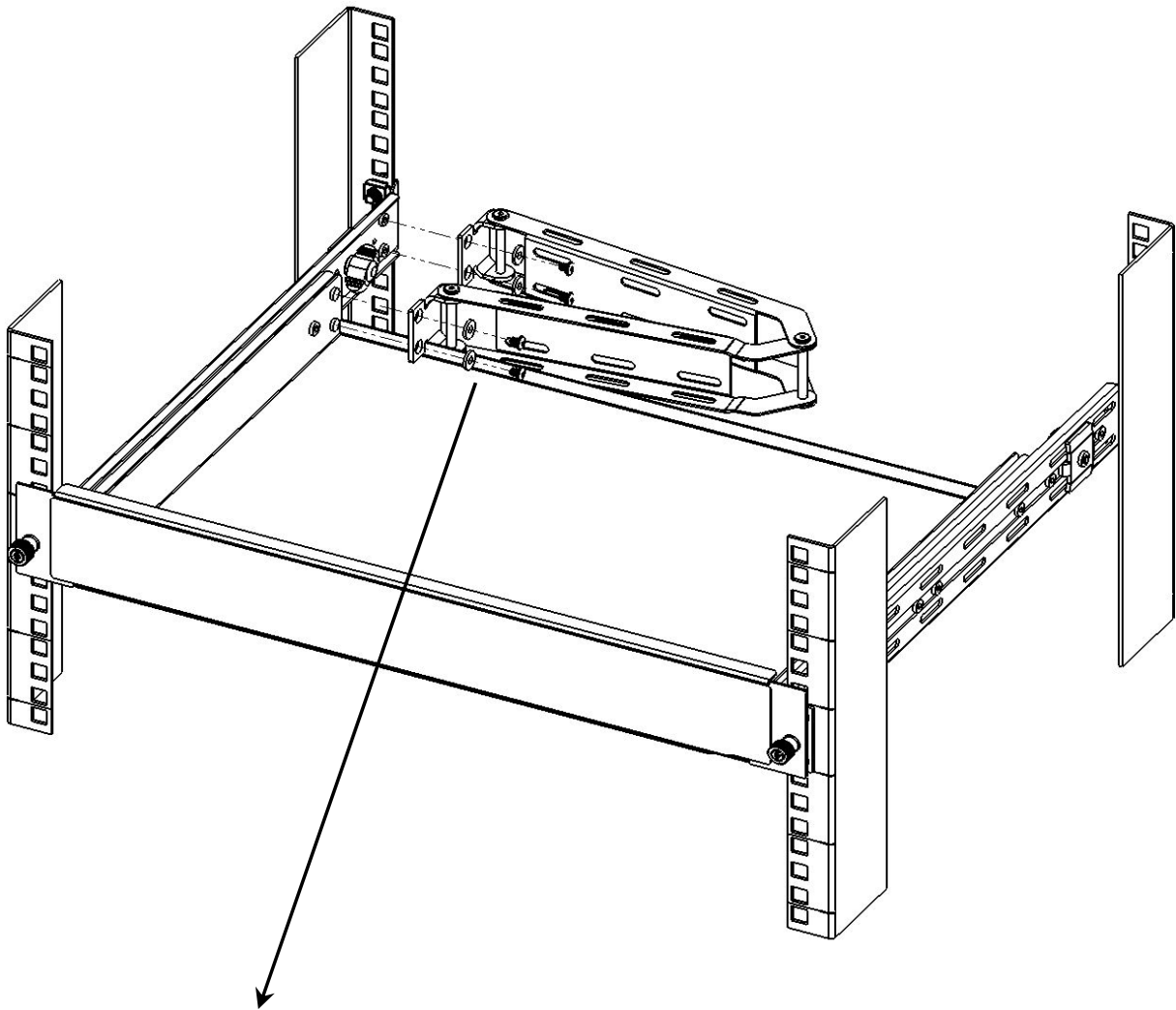


Note:

When using devices with high temperatures, it is generally recommended to install spacers to ensure adequate ventilation of the devices.

Assembly instructions
zr-cam-001
Extension 300mm





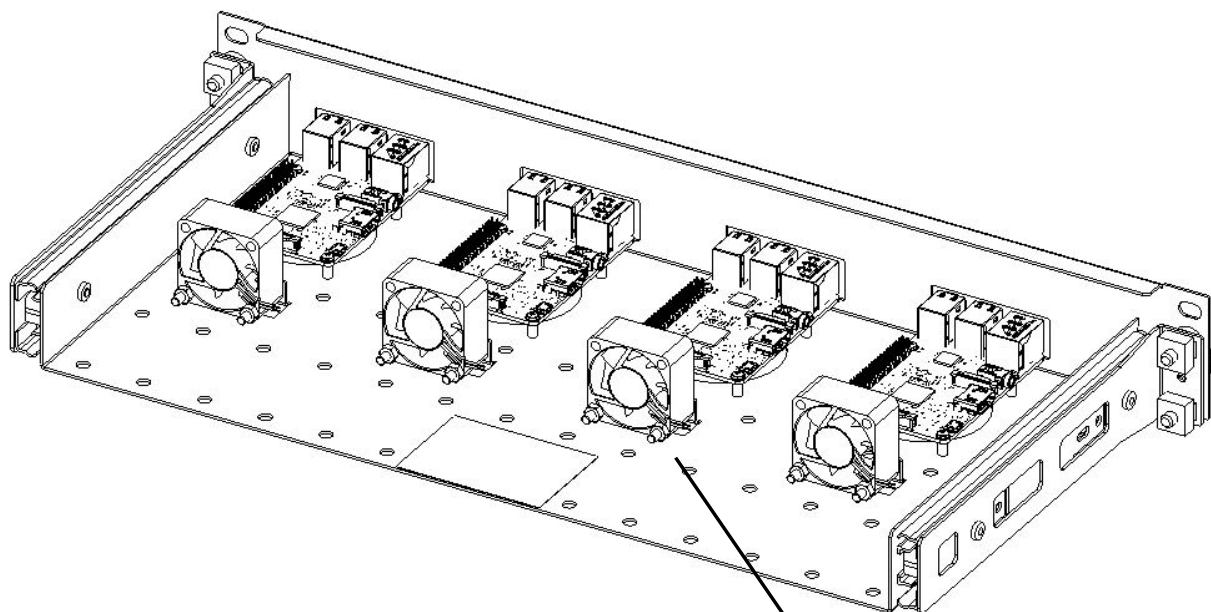
Fasten Cable Management Arm

Fasten the Cable Management Arm to the Rack Mount Kit using the mounting screws (included in the scope of supply).

Assembly instructions

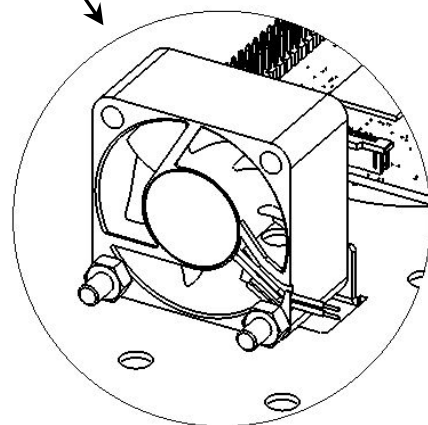
zr-fan-442n





Fasten fan

Fasten the fan(s) to the Rack Mount Kit using the mounting screws (included in the scope of supply).



NF-A4x20 5V

Noctua NF-A4x20 5V Premium Fan



Featuring advanced aerodynamic design measures such as Flow Acceleration Channels and Noctua's AAO frame, the NF-A4x20 5V is a dedicated 5V version of Noctua's highly optimised, premium quality quiet 40x20mm fan. Smooth Commutation Drive technology and Noctua's reference class SSO2 bearings guarantee superb running smoothness and excellent long-term stability. Topped off with modular cabling, the OmniJoin™ Adaptor Set and 6 years manufacturer's warranty, the NF-A4x20 5V is a premium choice for demanding 5V applications.

40x20mm size

Compared to Noctua's award-winning NF-A4x10, the NF-A4x20 is twice as thick, which allows for increased static pressure performance and makes the NF-A4x20 ideal for demanding applications with high flow resistance.

5V version

Many devices such as network or storage solutions use 5-volt 40mm fans. With the same operating voltage and the included OmniJoin™ Adaptor Set that makes it compatible with proprietary fan headers, the NF-A4x20 5V is ideal for replacing noisy or broken 5V 40mm fans.

AAO frame

Noctua's AAO (Advanced Acoustic Optimisation) frames feature integrated anti-vibration pads as well as Noctua's proprietary Stepped Inlet Design and Inner Surface Microstructures, both of which further refine the fan's performance/noise efficiency.

Inner Surface Microstructures

With the tips of the fan blades ploughing through the boundary layer created by the Inner Surface Microstructures, flow separation from the suction side of the blades is significantly suppressed, which results in reduced blade passing noise and improved airflow and pressure efficiency.

Stepped Inlet Design

Noctua's Stepped Inlet Design adds turbulence to the influx in order to facilitate the transition from laminar flow to turbulent flow, which reduces tonal intake noise, improves flow attachment and increases suction capacity, especially in space restricted environments.

SSO2 bearing

The NF-A4x20 5V features the further optimised second generation of Noctua's renowned, firm-tested SSO bearing. With SSO2, the rear magnet is placed closer to the axis to provide even better stabilisation, precision and durability.

Flow Acceleration Channels

The NF-A4x20 5V impeller features suction side Flow Acceleration Channels. By speeding up the airflow at the crucial outer blade regions, this measure reduces suction side flow separation and thus leads to better efficiency and lower vortex noise.

OmniJoin Adaptor Set

Many devices featuring 40mm fans use proprietary fan headers, so the NF-A4x20 5V comes with Noctua's OmniJoin Adaptor Set. Just cut the original fan's cable, fix it to the adaptor using the supplied cable connectors and you can plug the NF-A4x20 5V to proprietary fan headers!

Integrated Anti-Vibration Pads

Integrated Anti-Vibration Pads made from extra-soft silicone minimise the transmission of minute vibrations while maintaining full compatibility with all standard mounting systems and fan clips used on heatsinks.

6-year manufacturer's warranty

Noctua fans are renowned for their impeccable quality and outstanding longevity. Like all Noctua fans, the NF-A4x20 5V features an MTTF of more than 150,000 hours rating and comes with a full 6-year manufacturer's warranty.

Being a 5V fan, the NF-A4x20 5V cannot be run at 12V and will be damaged when used with typical 12V power sources such as PC motherboard fan headers.

LOGISTIC DATA

Product name	Noctua NF-A4x20 5V
EAN	9010018100129
UPC	841500110123
Packaging dimensions (HxWxD)	210x150x34 mm
Weight incl. packaging	175 g
Warranty	6 years
Packaging unit	40 pcs
Packaging dimensions / unit (HxWxD)	395x380x380 mm
Weight incl. packaging / unit	8.70 kg

SCOPE OF DELIVERY

NF-A4x20 5V premium fan
OmniJoin Adaptor
30cm extension cable
4x anti-vibration mounts
4x fan screws



Designed in Austria, Noctua's premium cooling components are internationally renowned for their superb quietness, exceptional performance and thoroughgoing quality. Having received more than 6000 awards and recommendations from leading hardware websites and magazines, Noctua's fans and heatsinks are serving hundreds of thousands of satisfied customers around the globe.

SPECIFICATIONS

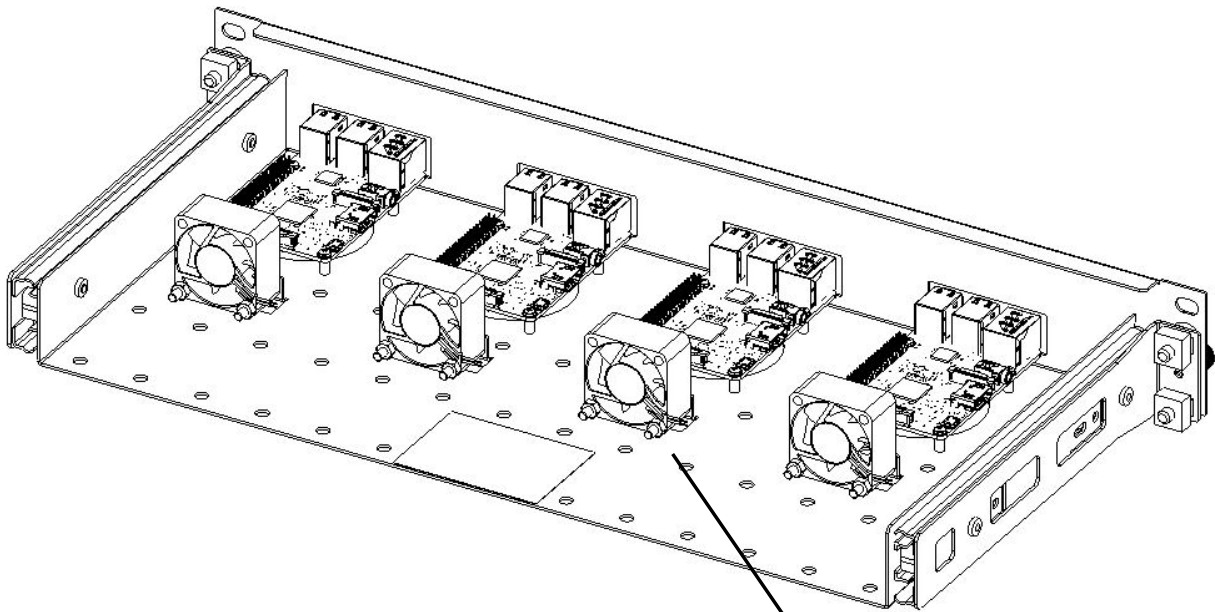
Dimensions	40x40x20 mm
Bearing	SSO2
Connector	3-pin
Blade geometry	A-Series with Flow Acceleration Channels
Max. input power / voltage	0.5 W / 5 V
MTTF	> 150,000 h
NF-A4x20 5V	w/o adaptor
Max. rotational speed (+/-10%)	5000 RPM
Max. airflow	9.4 m³/h
Max. acoustical noise	14.9 dB(A)
Max. static pressure	2.26 mmH ₂ O

www.noctua.at

Assembly instructions

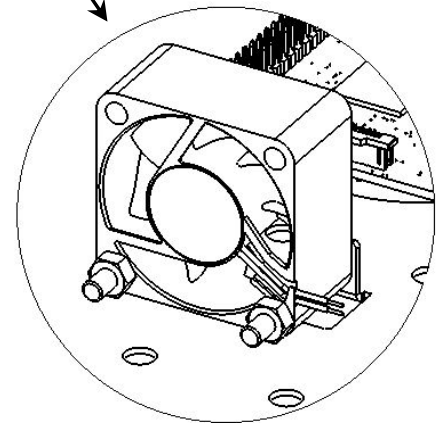
zr-fan-442s





Fasten fan

Fasten the fan(s) to the Rack Mount Kit using the mounting screws (included in the scope of supply).




40x40x20 mm

6.3~10.8 CFM

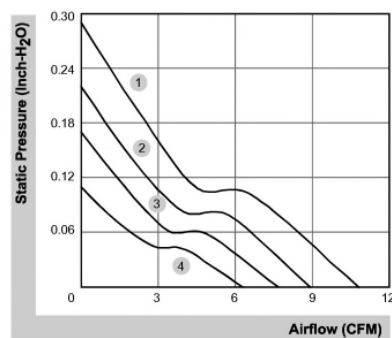


■ Specifications

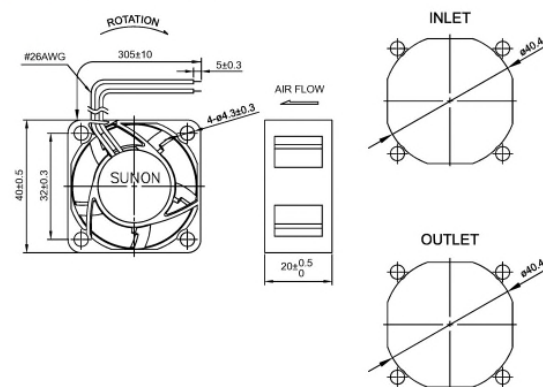
	Bearing	Rating Voltage	Power Current	Power Consumption	Speed	Air Flow	Static Pressure	Noise	Weight	Curve
	● VAPO	(VDC)	(mA)	(WATTS)	(RPM)	(CFM)	(inch-H ₂ O)	(dB(A))	(g)	
MF40200V1-1000U-A99	●	5	150	0.75	7000	8.9	0.22	25.5	29.0	2
MF40200V2-1000U-A99	●	5	107	0.54	6000	7.7	0.17	21.0	29.0	3
MF40200V3-1000U-A99	●	5	75	0.38	5000	6.3	0.11	16.5	29.0	4
MF40201VX-1000U-A99	●	12	80	0.96	8000	10.8	0.29	27.5	29.0	1
MF40201V1-1000U-A99	●	12	58	0.70	7000	8.9	0.22	25.5	29.0	2
MF40201V2-1000U-A99	●	12	45	0.54	6000	7.7	0.17	21.0	29.0	3
MF40201V3-1000U-A99	●	12	38	0.46	5000	6.3	0.11	16.5	29.0	4
MF40202VX-1000U-A99	●	24	39	0.94	8000	10.8	0.29	27.5	29.0	1
MF40202V1-1000U-A99	●	24	32	0.77	7000	8.9	0.22	25.5	29.0	2
MF40202V2-1000U-A99	●	24	25	0.60	6000	7.7	0.17	21.0	29.0	3

Model	Bearing	Rating Voltage	Power Current	Power Consumption	Speed	Air Flow	Static Pressure	Noise	Weight	Curve
	○ 2BALL Sleeve	(VDC)	(mA)	(WATTS)	(RPM)	(CFM)	(inch-H ₂ O)	(dB(A))	(g)	
EE40201SX-1000U-999	○	12	105	1.26	8000	10.8	0.29	27.5	29.0	1
EE40201S1-1000U-999	○	12	80	0.96	7000	8.9	0.22	25.5	29.0	2
EE40201S2-1000U-999	○	12	63	0.76	6000	7.7	0.17	21.0	29.0	3
EE40201S3-1000U-999	○	12	52	0.63	5000	6.3	0.11	16.5	29.0	4

■ Air Flow-Static Pressure Characteristics



■ External dimensions(mm)

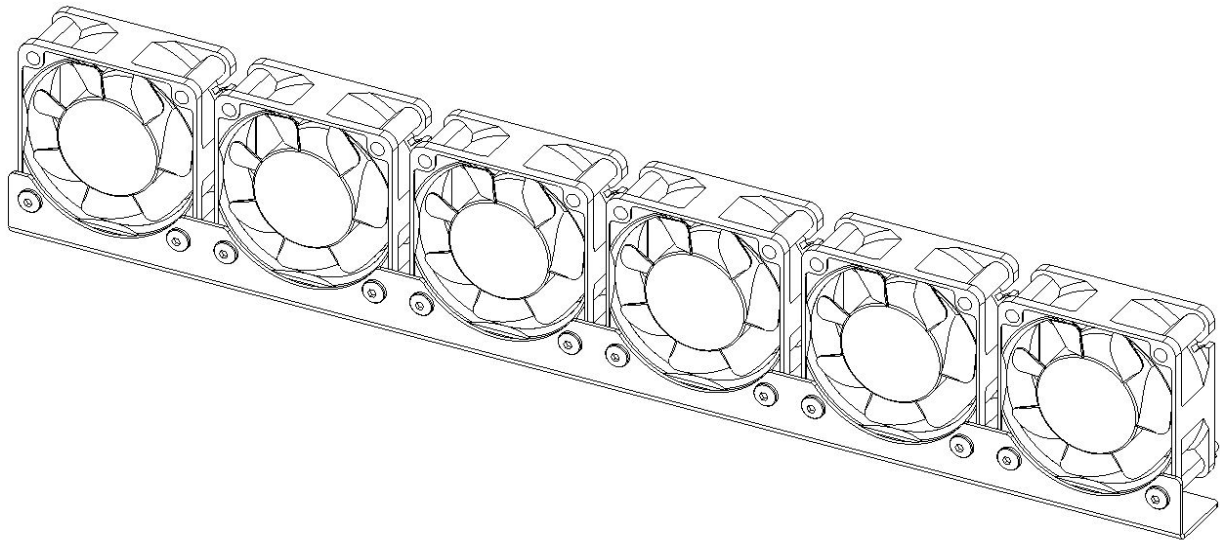


*All model could be customized. Please contact with Sunon Sales.

*Specifications are subject to change without notice. Please Visit SUNON website at www.sunon.com for update information.

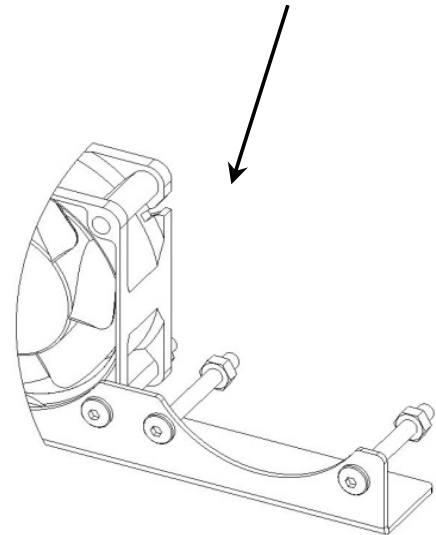
Assembly instructions zr-fan-662n





Fasten fan

Fasten the fan(s) to the Rack Mount Kit Fan Holder using the mounting screws (included in the scope of supply).



NF-A6x25 5V

Noctua NF-A6x25 5V Premium Fan



Featuring advanced aerodynamic design measures such as Flow Acceleration Channels and Noctua's AAO frame, the NF-A6x25 5V is a dedicated 5V version of Noctua's highly optimised, premium-quality quiet 60x25mm fan. Smooth Commutation Drive technology and Noctua's reference-class SSO2 bearing guarantee superb running smoothness and excellent long-term stability. Topped off with modular cabling, the OmniJoin™ Adaptor Set and a 6-year manufacturer's warranty, the NF-A6x25 5V is a premium choice for demanding 5V applications.

5V version

Many devices, such as network or storage solutions, use 5 volt 60mm fans. With the same operating voltage and the included OmniJoin™ Adaptor Set that makes it compatible with proprietary fan headers, the NF-A6x25 5V is ideal for replacing noisy or broken 5V 60mm fans.

Polarity protection

As many devices using 5V fans feature proprietary connectors and documentation of the pin alignment may not be available, the fan features an integrated diode for polarity protection. This way, you're on the safe side if you accidentally connect it with reverse polarity.

Reduced Motor Hub Size

Thanks to its streamlined, compact motor design, the NF-A6x25's motor hub is smaller than with conventional 6cm fans. This allows for more blade surface area and thus contributes to the NF-A6x25's superior airflow and pressure performance.

AAO Frame

Noctua's AAO (Advanced Acoustic Optimisation) frames feature integrated anti-vibration pads as well as Noctua's proprietary Stepped Inlet Design and Inner Surface Microstructures, both of which further refine the fan's performance/noise efficiency.

Flow Acceleration Channels

The NF-A6x25 impeller features suction side Flow Acceleration Channels. By speeding up the airflow at the crucial outer blade regions, this measure reduces suction side flow separation and thus leads to better efficiency and lower vortex noise.

Stepped Inlet Design

Noctua's Stepped Inlet Design adds turbulence to the influx in order to facilitate the transition from laminar flow to turbulent flow, which reduces tonal intake noise, improves flow attachment and increases suction capacity, especially in space-restricted environments.

OmniJoin™ Adaptor Set

Many devices featuring 60mm fans use proprietary fan headers, so the NF-A6x25 5V comes with Noctua's OmniJoin Adaptor Set. Just cut the original fan's cable, fix it to the adaptor using the supplied cable connectors and you can plug the NF-A6x25 5V to proprietary fan headers!

Smooth Commutation Drive 2

The latest version of Noctua's advanced Smooth Commutation Drive system ensures superb running smoothness by eliminating torque variations and switching noises. This makes the NF-A6x25 remarkably quiet even at very close distances.

Inner Surface Microstructures

With the tips of the fan blades ploughing through the boundary layer created by the Inner Surface Microstructures, flow separation from the suction side of the blades is significantly suppressed, which results in reduced blade passing noise and improved airflow and pressure efficiency.

SSO2 Bearing

The NF-A6x25 features the further optimised second generation of Noctua's renowned, time-tested SSO bearing. With SSO2, the rear magnet is placed closer to the axis to provide even better stabilisation, precision and durability.

6-year manufacturer's warranty

Noctua fans are renowned for their impeccable quality and outstanding longevity. Like all Noctua fans, the NF-A6x25 features an MTTF of more than 150,000 hours rating and comes with a full 6-year manufacturer's warranty.

LOGISTIC DATA

Product name	Noctua NF-A6x25 5V
EAN	9010018100037
UPC	841501110030
Packaging dimensions (HxWxD)	210x150x34 mm
Weight incl. packaging	195 g
Warranty	6 years
Packaging unit	36 pcs
Packaging dimensions / unit (HxWxD)	395x385x380 mm
Weight incl. packaging / unit	8.90 kg

SCOPE OF DELIVERY

NF-A6x25 5V premium fan
OmniJoin Adaptor Set
30cm extension cable
4x anti-vibration mounts
4x fan screws



Designed in Austria, Noctua's premium cooling components are internationally renowned for their superb quietness, exceptional performance and thoroughgoing quality. Having received more than 6000 awards and recommendations from leading hardware websites and magazines, Noctua's fans and heat sinks are serving hundreds of thousands of satisfied customers around the globe.

SPECIFICATIONS

Dimensions	60x60x25 mm
Bearing	SSO2
Connector	3-pin
Blade geometry	A-Series with Flow Acceleration Channels
Max. input power / voltage	1.3 W / 5 V
MTTF	> 150,000 h
NF-A6x25 5V	
Max. rotational speed (+/-10%)	3000 RPM
Max. airflow	29.2 m³/h
Max. acoustical noise	19.3 dB(A)
Max. static pressure	2.18 mmH ₂ O

www.noctua.at

Assembly instructions
zr-key-led-b (blue)
zr-key-led-g (green)
zr-key-led-r (red)
zr-key-led-y (yellow)



Delock Keystone LED blue 6 V flat, black

Description

This Keystone LED by Delock can be installed in e.g. a housing or device, to indicate different operating states. With its standardised dimensions it can be used for easy snap-in mounting in e.g. a Keystone patch panel, face plate or surface-mount box.



Specification

- Connectors:
internal: 2 x solder connection
- Operating voltage / current: 6 V DC / 3 A
- For Keystone ports with 19.2 x 14.9 mm
- LED colour: blue
- Length in front of the panel: ca. 1.5 mm
- Housing colour: black
- Dimensions (LxWxH): ca. 27.3 x 16.3 x 22.3 mm

Package content

- Keystone LED

Item no. 86461

EAN: 4043619864614

Country of origin: Taiwan, Republic of China

Package: Poly bag



General	
Mounting type:	Keystone module
Interface	
Internal:	2 x solder connection
Technical characteristics	
Operating voltage:	6 V DC / 3 A
Physical characteristics	
Housing colour:	black
Length:	27.3 mm
Width:	16.3 mm
Height:	22.3 mm
LED colour:	blue

Assembly instructions zr-key-push-button



Delock Keystone Push-button black

Description

This Keystone push-button by Delock works as an On/Off switch or reset button for electronic components and can be installed in e.g. a housing or device. With its standardised dimensions it can be used for easy snap-in mounting in e.g. a Keystone patch panel, face plate or surface-mount box.



Specification

- Connector:
 - internal: 2 x solder connection
- Operating voltage / current: max. 24 V / 1 A
- For Keystone ports with 19.2 x 14.9 mm
- Length in front of the panel: ca. 4.5 mm
- Colour: black
- Dimensions (LxWxH): ca. 19.8 x 16.3 x 22.3 mm

Package content

- Keystone Push-button

Item no. 86402

EAN: 4043619864027

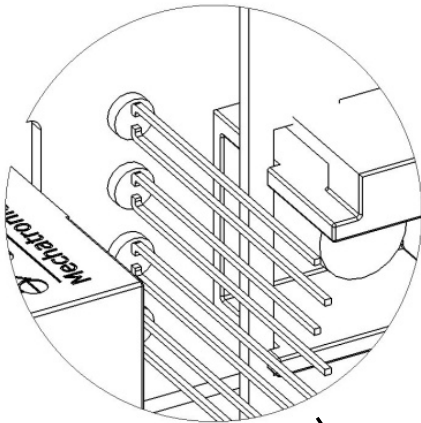
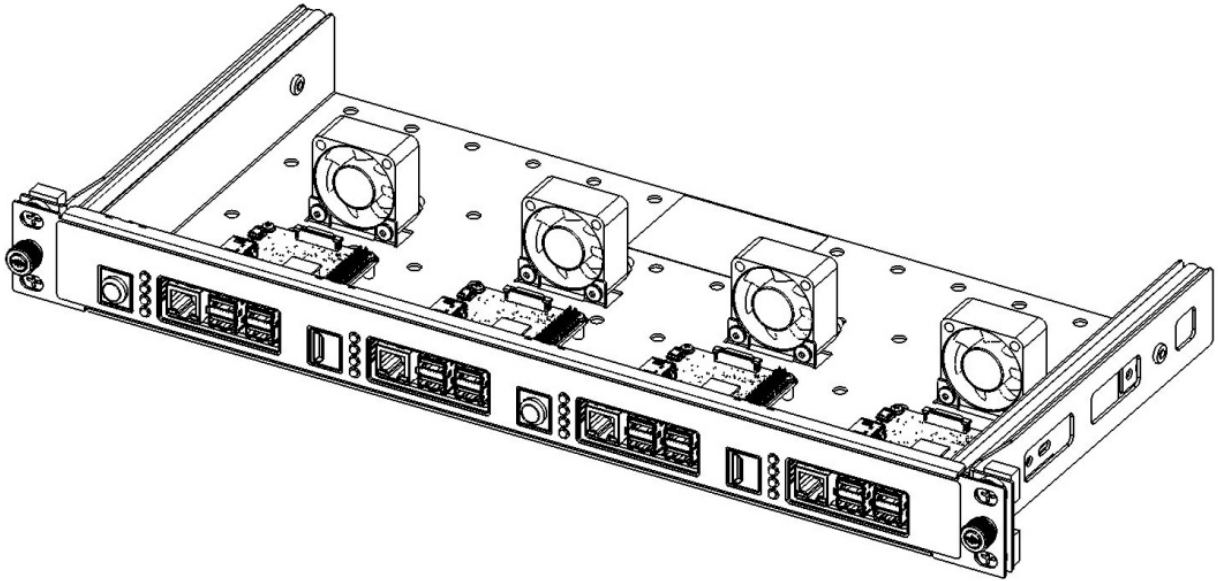
Country of origin: Taiwan, Republic of China

Package: Zip poly bag

General	
Mounting type:	Keystone module
Interface	
Internal:	2 x solder connection
Technical characteristics	
Operating voltage:	24 V / 1 A
Physical characteristics	
Length:	19.8 mm
Width:	16.3 mm
Height:	22.3 mm
Colour:	black

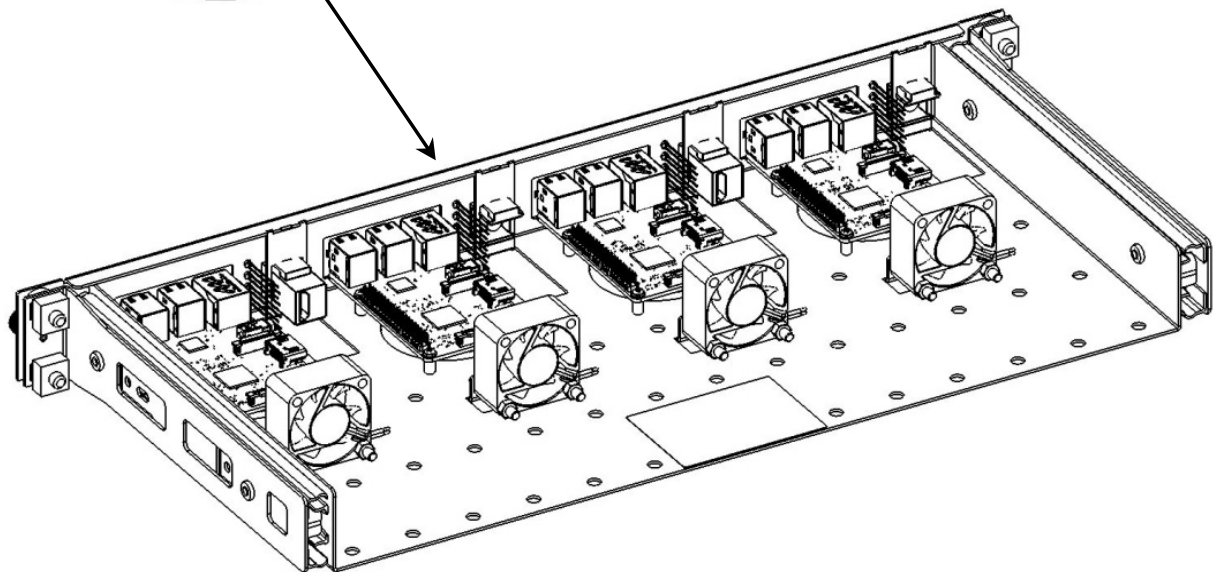
Assembly instructions
zr-led-g (green)
zr-led-r (red)
zr-led-y (yellow)





Insert LED

Insert the LED from the back of the Rack Mount Kit into the holes provided and fix them with the appropriate mounting adhesive (not included in the scope of supply).



Kingbright[®]
T-1 (3mm) LOW CURRENT LED LAMPS

L-934LI HIGH EFFICIENCY RED

L-934LY YELLOW

L-934LG GREEN

L-934LSR SUPER BRIGHT RED

Features

- MINIMUM LUMINOUS INTENSITY SPECIFIED AT 2 mA.
- HIGH LIGHT OUTPUT AT LOW CURRENTS.
- LOW POWER CONSUMPTION.
- LOW CURRENT REQUIREMENTS.
- WIDE VIEWING ANGLE.
- I.C. COMPATIBLE.
- RELIABLE AND RUGGED.

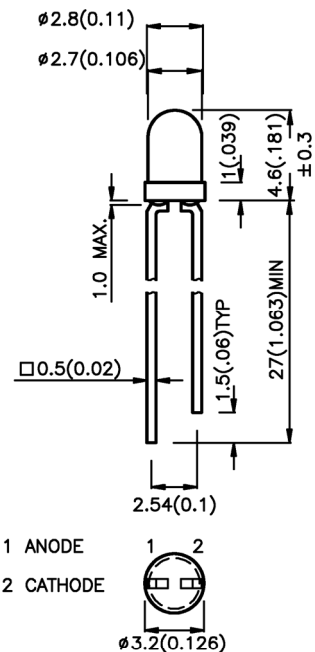
Description

The Green source color devices are made with Gallium Phosphide Green Light Emitting Diode.

The High Efficiency Red source color devices are made with Gallium Arsenide Phosphide on Gallium Phosphide Orange Light Emitting Diode.

The Yellow source color devices are made with Gallium Arsenide Phosphide on Gallium Phosphide Yellow Light Emitting Diode.

The Super Bright Red source color devices are made with Gallium Aluminum Arsenide Red Light Emitting Diode.

Package Dimensions

Notes:

1. All dimensions are in millimeters (inches).
2. Tolerance is $\pm 0.25(0.01)$ unless otherwise noted.
3. Lead spacing is measured where the lead emerge package.
4. Specifications are subjected to change without notice.

Selection Guide

Part No.	Dice	Lens Type	Iv (mcd) @ 2 mA		Viewing Angle
			Min.	Max.	2 θ 1/2
L-934LID	HIGH EFFICIENCY RED (GaAsP/GaP)	RED DIFFUSED	0.8	5	60°
L-934LGD	GREEN (GaP)	GREEN DIFFUSED	0.8	3.2	60°
L-934LYD	YELLOW (GaAsP/GaP)	YELLOW DIFFUSED	0.8	3.2	60°
L-934LSRD	SUPER BRIGHT RED (GaAlAs)	RED DIFFUSED	8	20	60°

Note:

1. $\theta 1/2$ is the angle from optical centerline where the luminous intensity is 1/2 the optical centerline value.

Electrical / Optical Characteristics at T_A=25°C

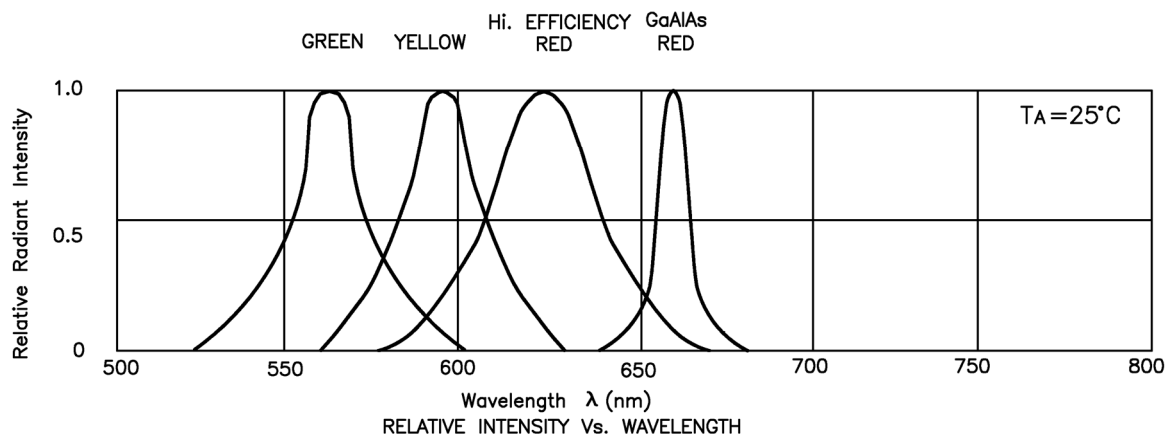
Symbol	Parameter	Device	Typ.	Max.	Units	Test Conditions
λ_{peak}	Peak Wavelength	High Efficiency Red Green Yellow Super Bright Red	625 565 590 660		nm	IF=2mA
$\Delta\lambda_{1/2}$	Spectral Line Halfwidth	High Efficiency Red Green Yellow Super Bright Red	45 30 35 20		nm	IF=2mA
C	Capacitance	High Efficiency Red Green Yellow Super Bright Red	12 45 10 95		pF	V _F =0V;f=1MHz
V _F	Forward Voltage	High Efficiency Red Green Yellow Super Bright Red	1.7 1.9 1.8 1.65	2.0 2.2 2.1 1.95	V	IF=2mA
I _R	Reverse Current	All	10		uA	V _R = 5V

Absolute Maximum Ratings at T_A=25°C

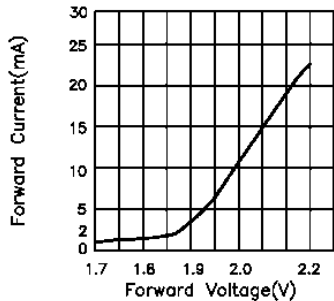
Parameter	High Efficiency Red	Green	Yellow	Super Bright Red	Units
Power dissipation	105	105	105	100	mW
DC Forward Current	30	25	30	30	mA
Peak Forward Current [1]	150	150	150	150	mA
Reverse Voltage	5	5	5	5	V
Operating/Storage Temperature	-40 °C To +85 °C				
Lead Soldering Temperature [2]	260 °C For 5 Seconds				

Notes:

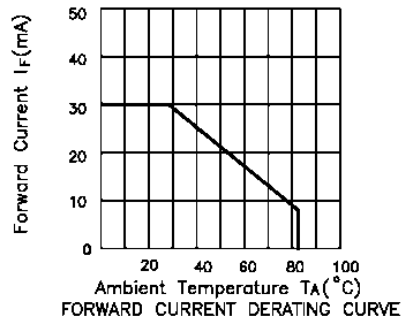
- 1/10 Duty Cycle, 0.1ms Pulse Width.
- 4mm below package base.



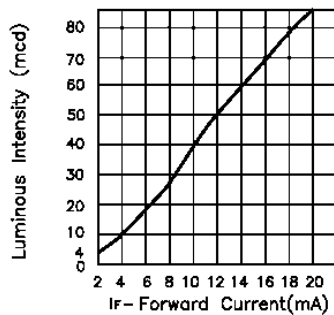
High Efficiency Red L-934LID



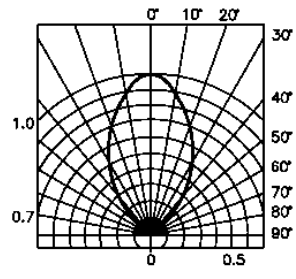
FORWARD CURRENT Vs. FORWARD VOLTAGE



FORWARD CURRENT DERATING CURVE

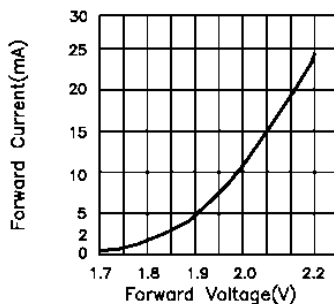


LUMINOUS INTENSITY Vs. FORWARD CURRENT

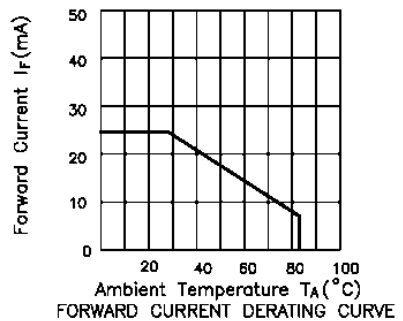


SPATIAL DISTRIBUTION

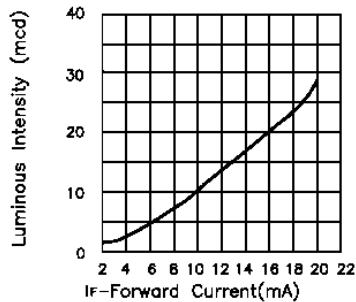
Green L-934LGD



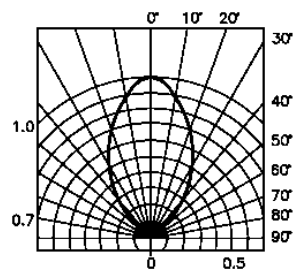
FORWARD CURRENT Vs. FORWARD VOLTAGE



FORWARD CURRENT DERATING CURVE

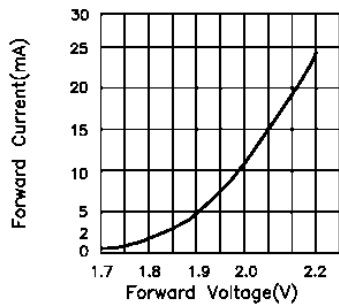


LUMINOUS INTENSITY Vs. FORWARD CURRENT

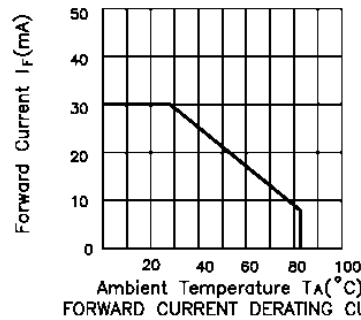


SPATIAL DISTRIBUTION

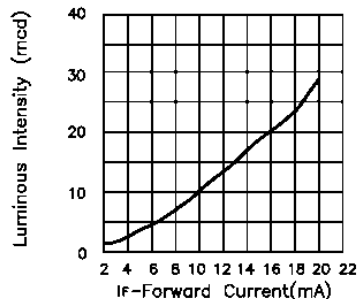
Yellow L-934LYD



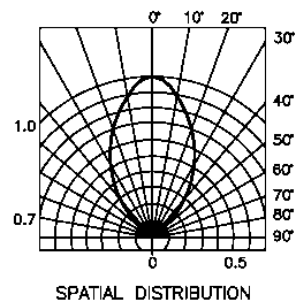
FORWARD CURRENT Vs. FORWARD VOLTAGE



FORWARD CURRENT DERATING CURVE

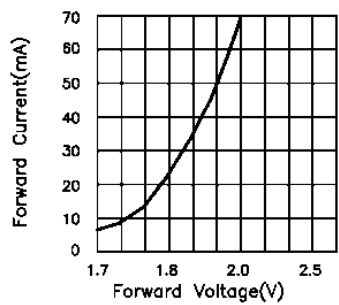


LUMINOUS INTENSITY Vs. FORWARD CURRENT

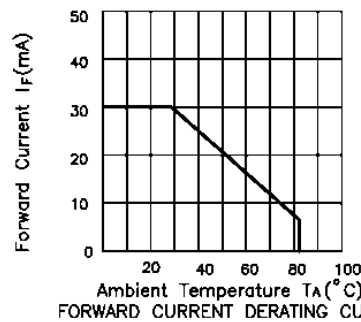


SPATIAL DISTRIBUTION

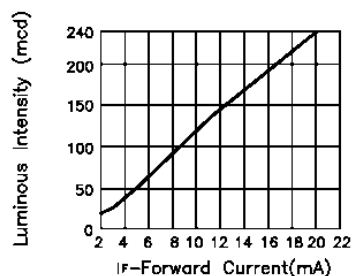
Super Bright Red L-934LSRD



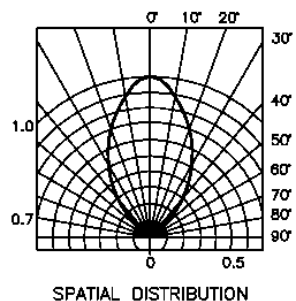
FORWARD CURRENT Vs. FORWARD VOLTAGE



FORWARD CURRENT DERATING CURVE



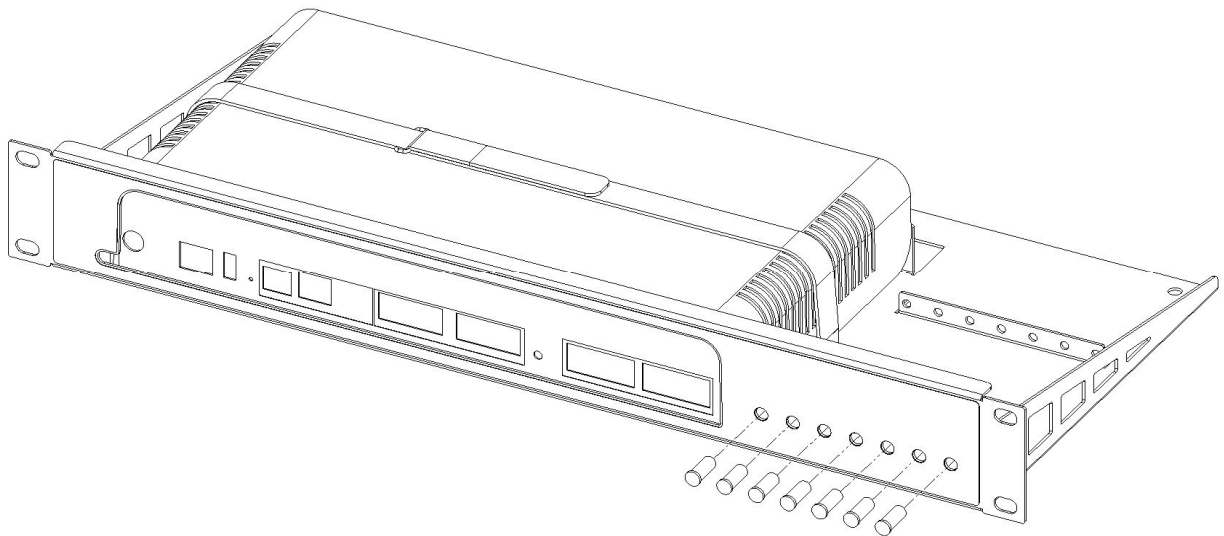
LUMINOUS INTENSITY Vs. FORWARD CURRENT



SPATIAL DISTRIBUTION

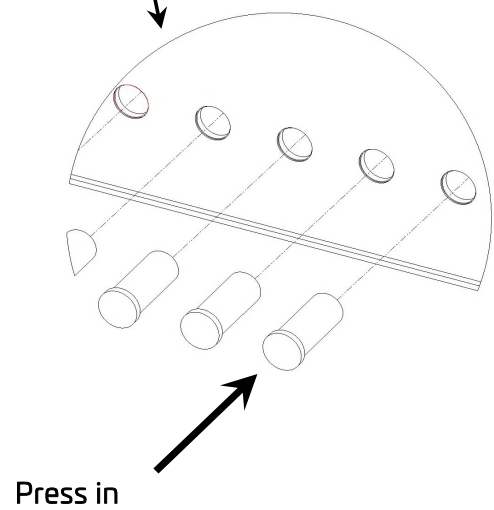
**Assembly instructions
LED Light Guide Set
NM-AUD-001
zr-lgs-001**

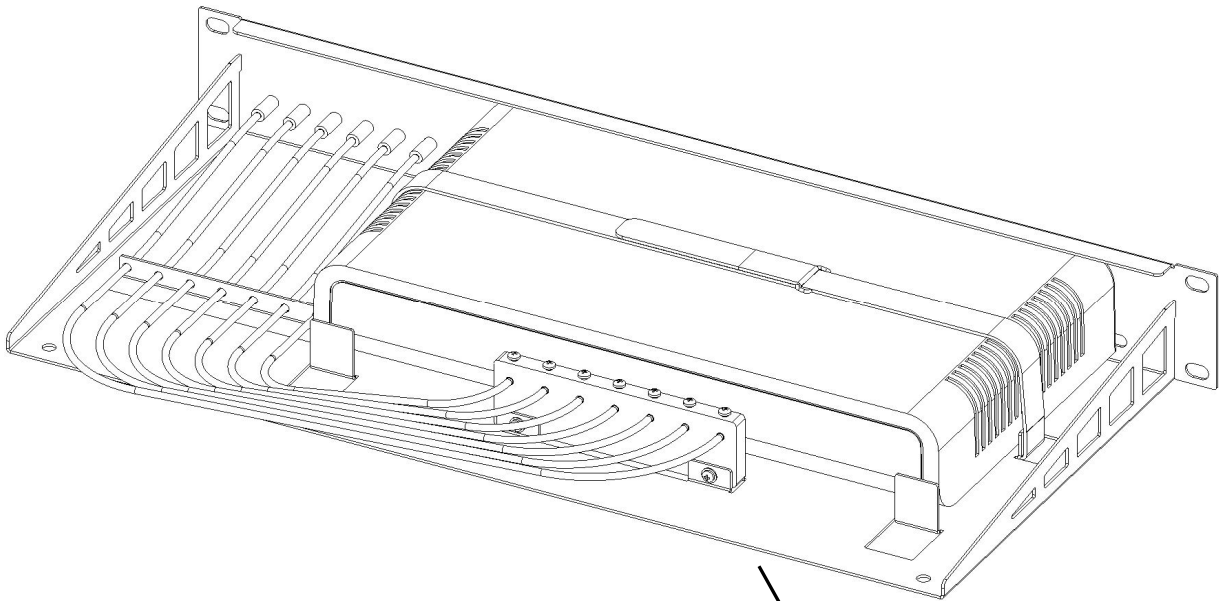




1. Press in lenses

Using moderate pressure, press the lenses into the designated holes in the Rack Mount Kit.





2. Loosely pre-assemble the light pipe holder

Fasten the light pipe holder loosely to the Rack Mount Kit with the fastening screws (included in the scope of supply).

3. Loosely mount the flexible light pipes

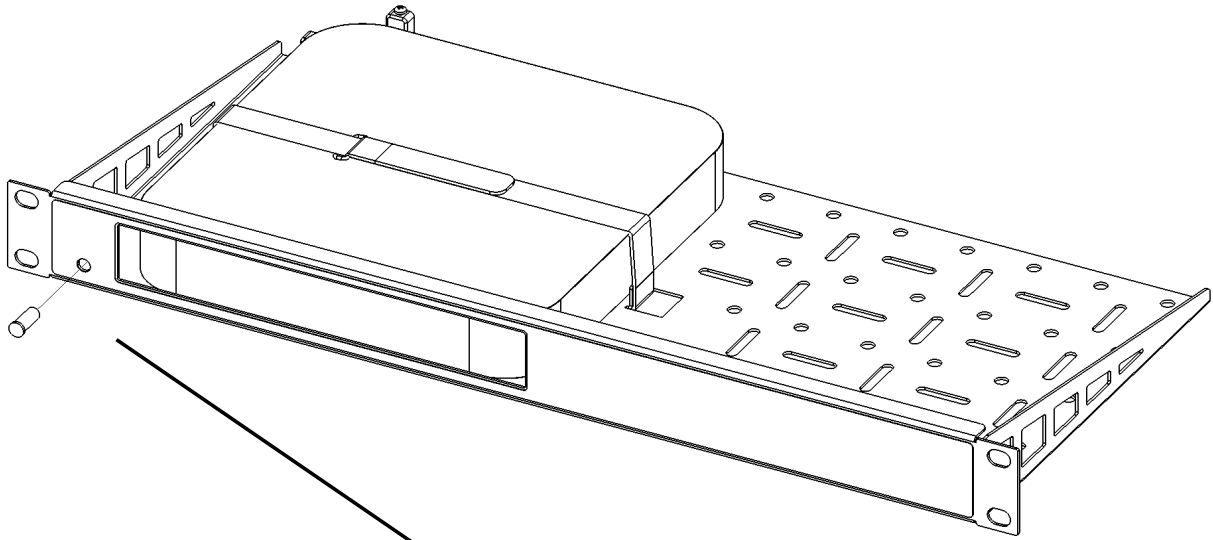
Fasten the light pipes loosely to the light pipe holder with the fixing screws (included in the scope of supply).

4. Fasten the light pipe holder and the flexible light pipes

Adjust the light pipes for optimal illumination at the front of the Rack Mount Kit and tighten the screws.

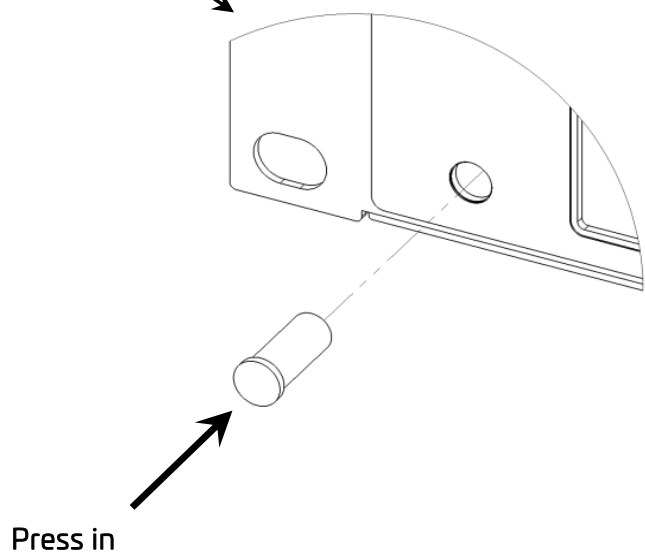
Assembly instructions
LED Light Guide Set
zr-lgs-002
UM-APP-001

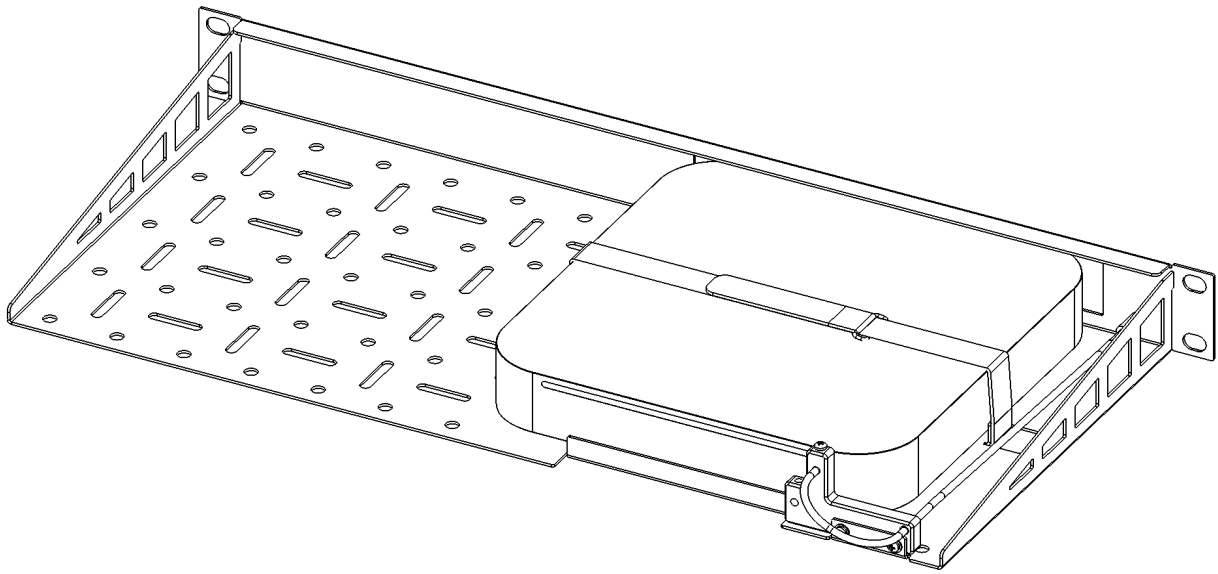




1. Press in lens

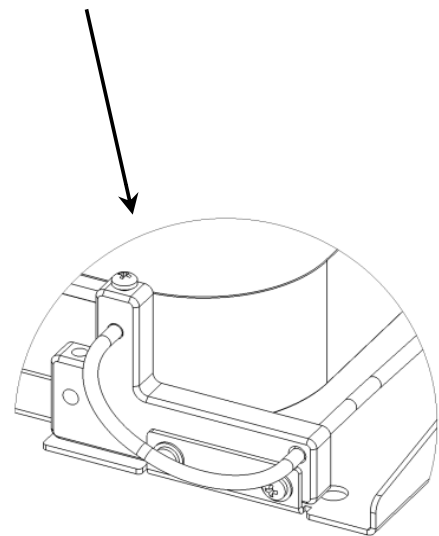
Using moderate pressure, press the lens into the designated hole in the Rack Mount Kit.





2. Loosely pre-assemble the light pipe holder

Fasten the light pipe holder loosely to the Rack Mount Kit with the fastening screws (included in the scope of supply).



3. Loosely mount the flexible light pipe

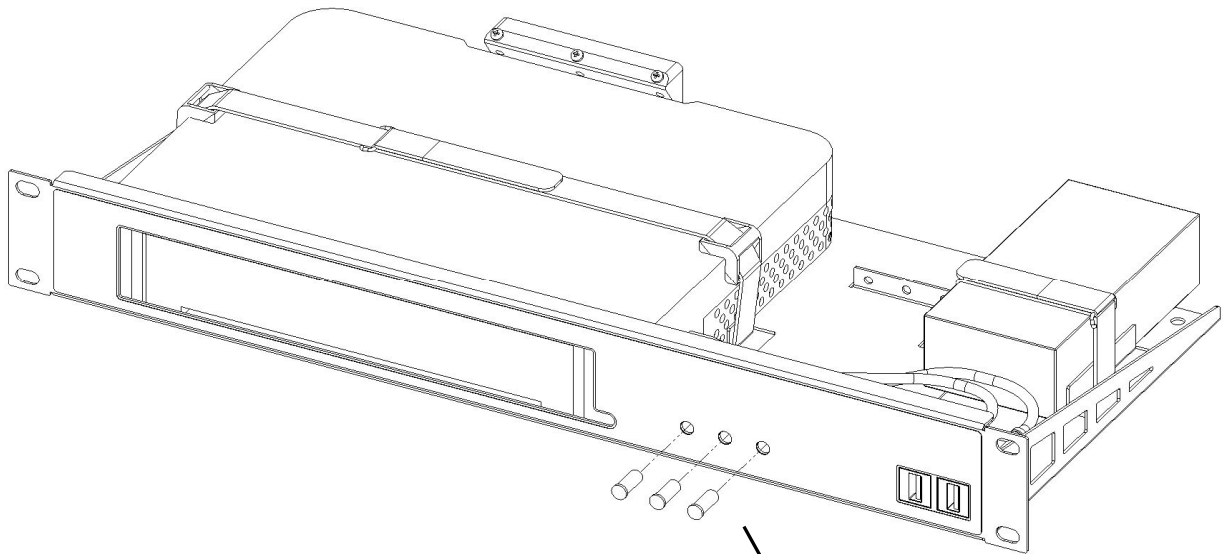
Fasten the light pipe loosely to the light pipe holder with the fixing screw (included in the scope of supply).

4. Fasten the light pipe holder and the flexible light pipe

Adjust the light pipe for optimal illumination at the front of the Rack Mount Kit and tighten the screws.

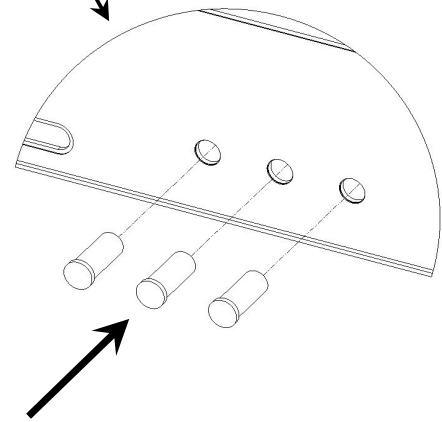
**Assembly instructions
LED Light Guide Set
NM-NTG-002
zr-lgs-003**



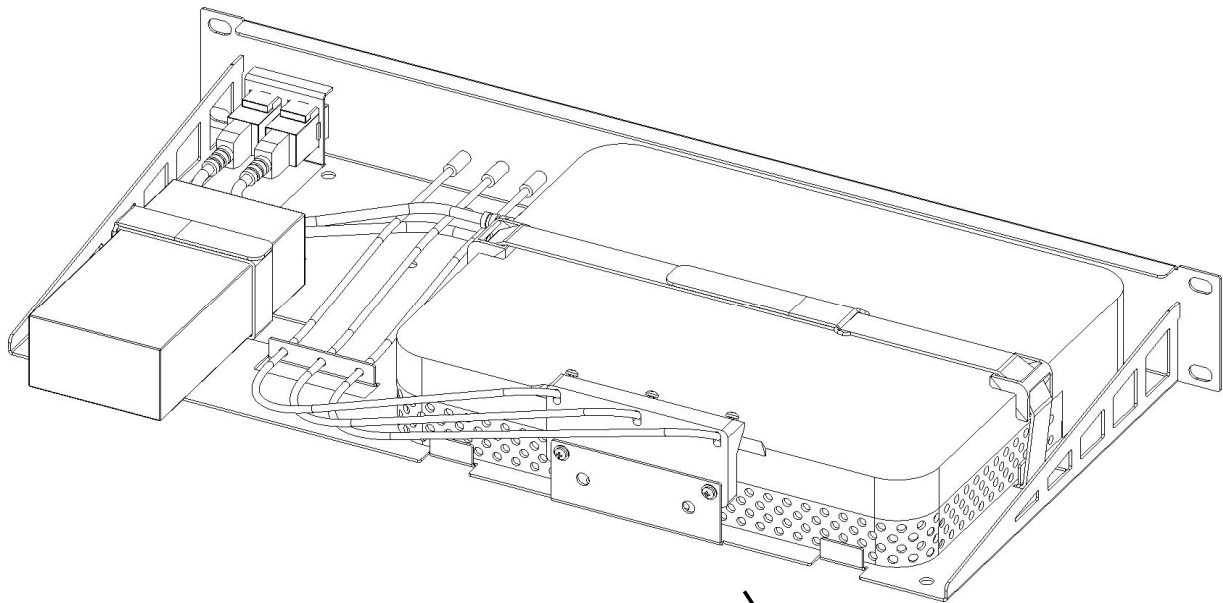


1. Press in lenses

Using moderate pressure, press the lenses into the designated holes in the Rack Mount Kit.



Press in



2. Loosely pre-assemble the light pipe holder

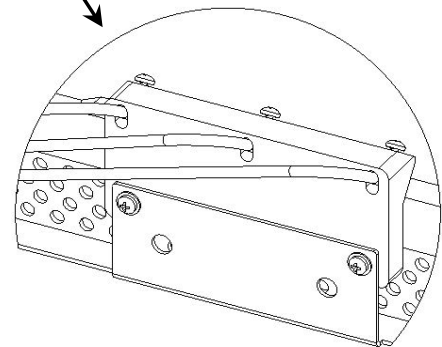
Fasten the light pipe holder loosely to the Rack Mount Kit with the fastening screws (included in the scope of supply).

3. Loosely mount the flexible light pipes

Fasten the light pipes loosely to the light pipe holder with the fixing screw (included in the scope of supply).

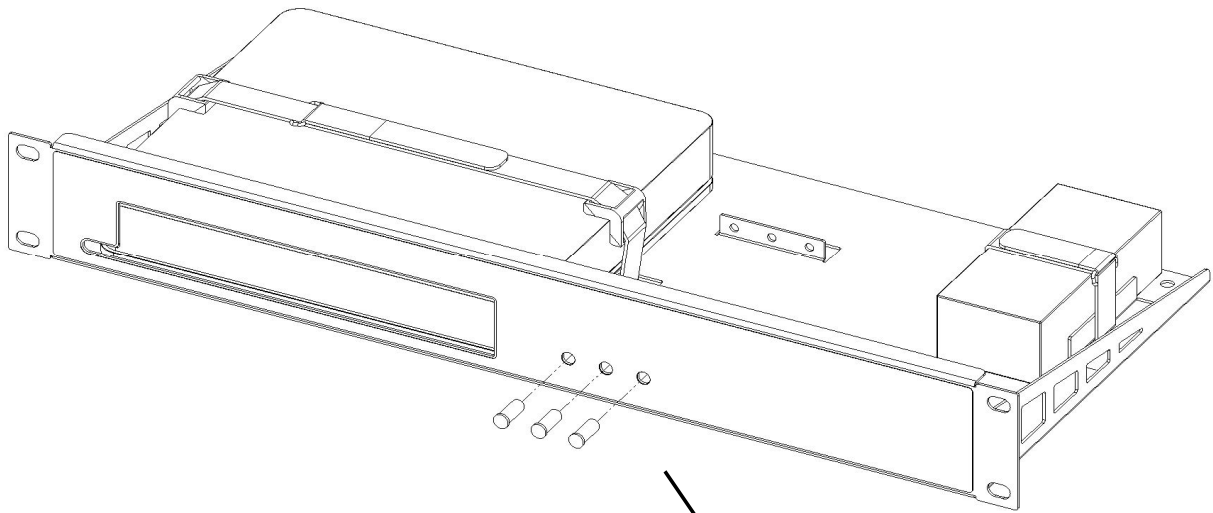
4. Fasten the light pipe holder and the flexible light pipes

Adjust the light pipes for optimal illumination at the front of the Rack Mount Kit and tighten the screws.



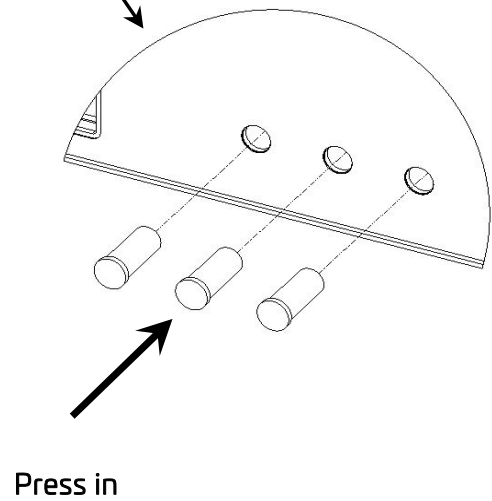
**Assembly instructions
LED Light Guide Set
NM-NTG-003
zr-lgs-004**

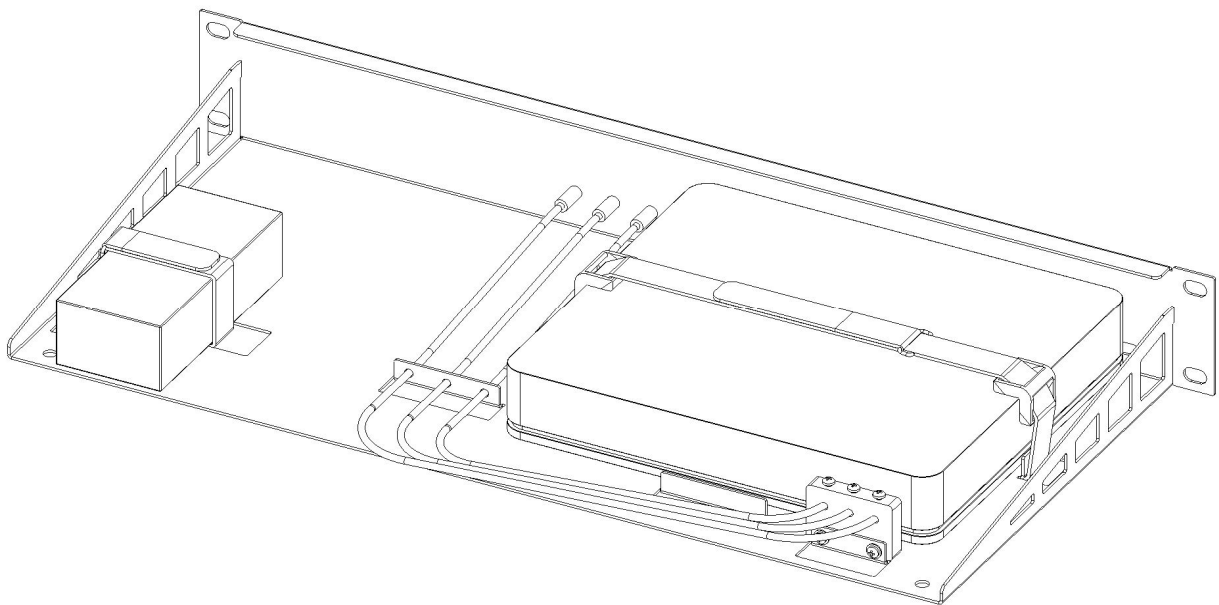




1. Press in lenses

Using moderate pressure, press the lenses into the designated holes in the Rack Mount Kit.



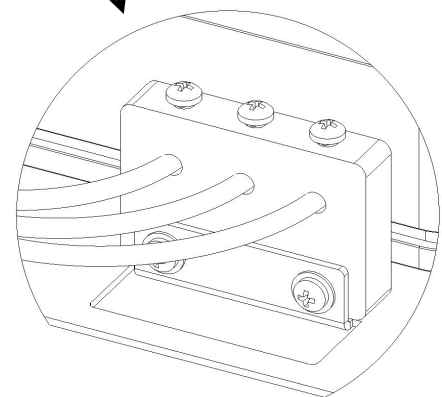


2. Loosely pre-assemble the light pipe holder

Fasten the light pipe holder loosely to the Rack Mount Kit with the fastening screws (included in the scope of supply).

3. Loosely mount the flexible light pipes

Fasten the light pipes loosely to the light pipe holder with the fixing screw (included in the scope of supply).

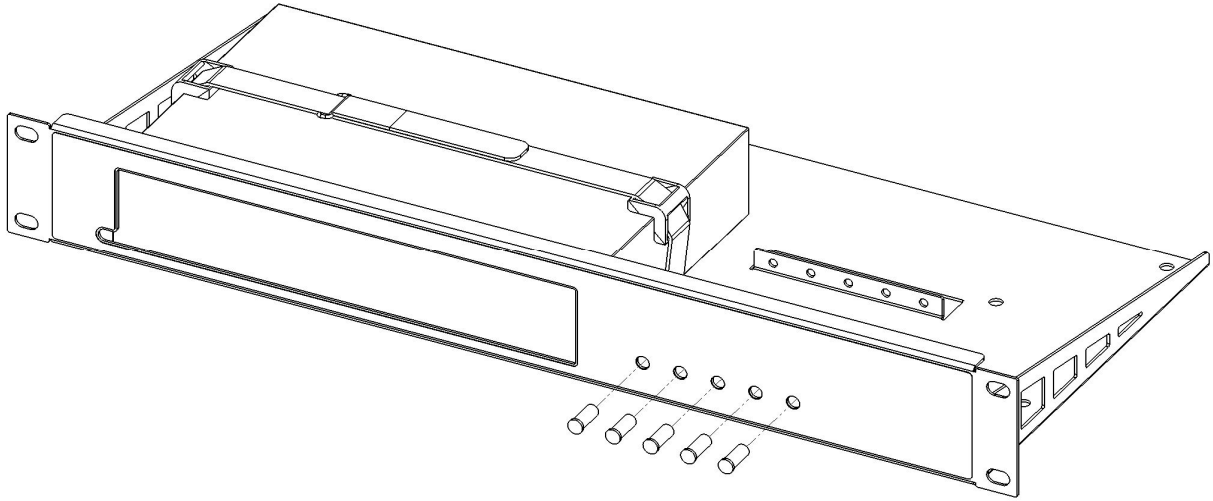


4. Fasten the light pipe holder and the flexible light pipes

Adjust the light pipes for optimal illumination at the front of the Rack Mount Kit and tighten the screws.

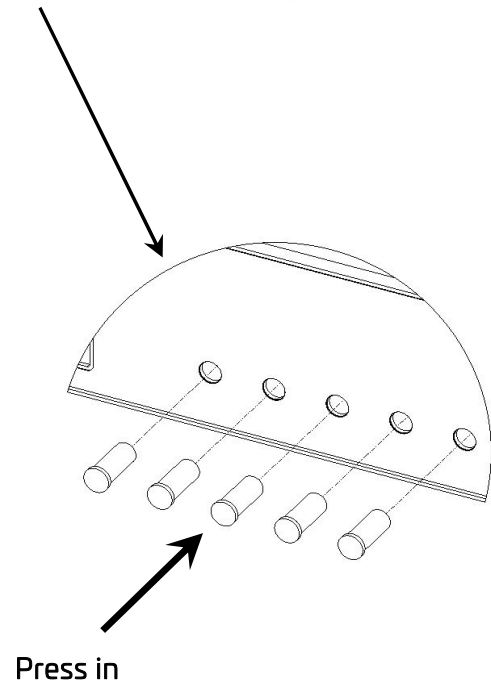
**Assembly instructions
LED Light Guide Set
NM-SOP-010
zr-lgs-006**

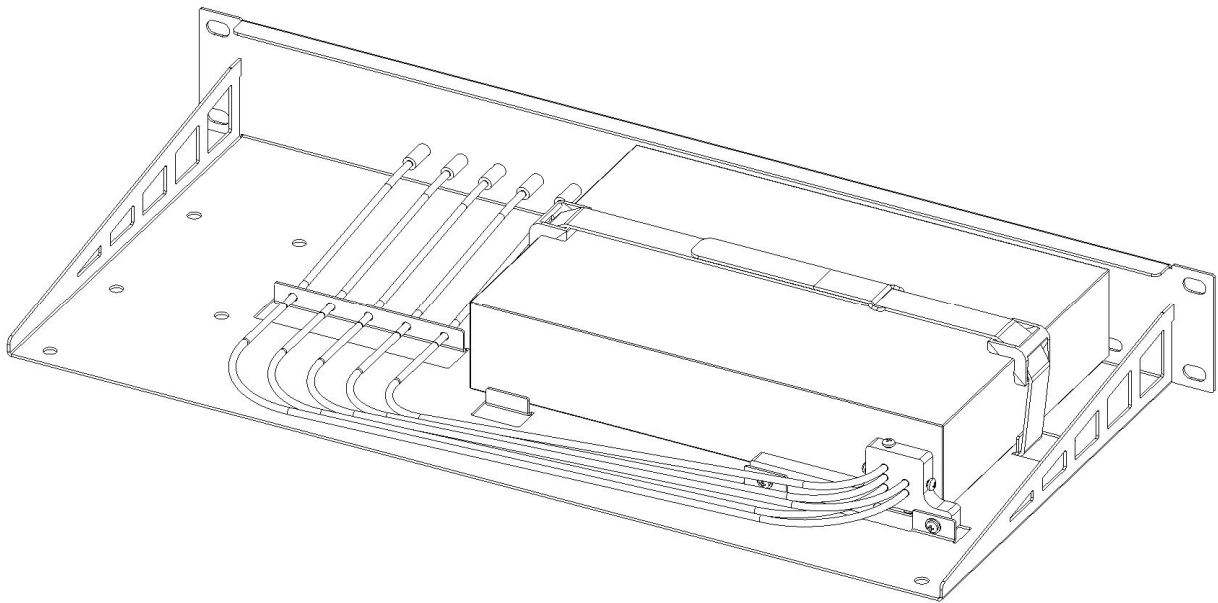




1. Press in lenses

Using moderate pressure, press the lenses into the designated holes in the Rack Mount Kit.





2. Loosely pre-assemble the light pipe holder

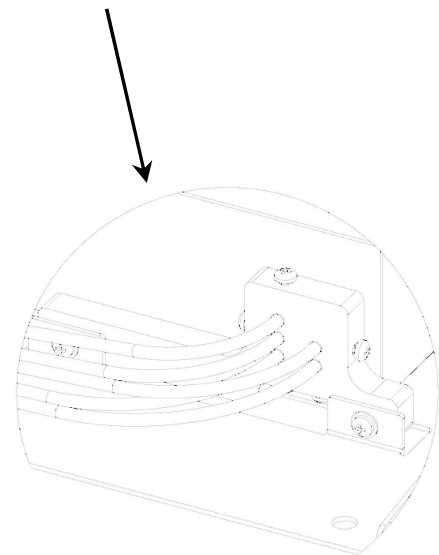
Fasten the light pipe holder loosely to the Rack Mount Kit with the fastening screws (included in the scope of supply).

3. Loosely mount the flexible light pipes

Fasten the light pipes loosely to the light pipe holder with the fixing screw (included in the scope of supply).

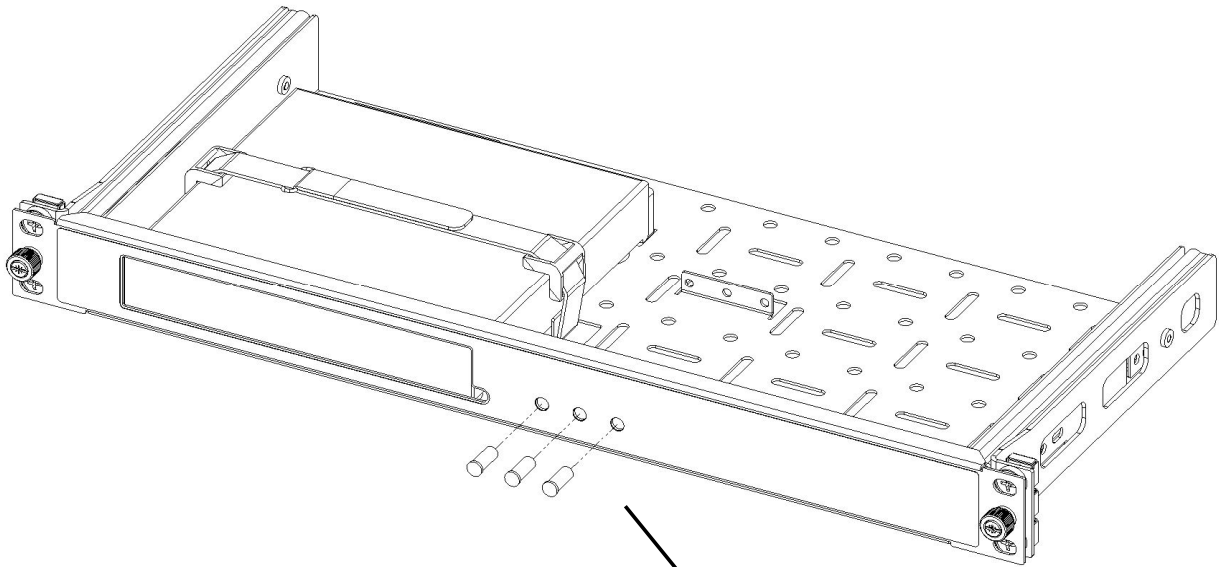
4. Fasten the light pipe holder and the flexible light pipes

Adjust the light pipes for optimal illumination at the front of the Rack Mount Kit and tighten the screws.



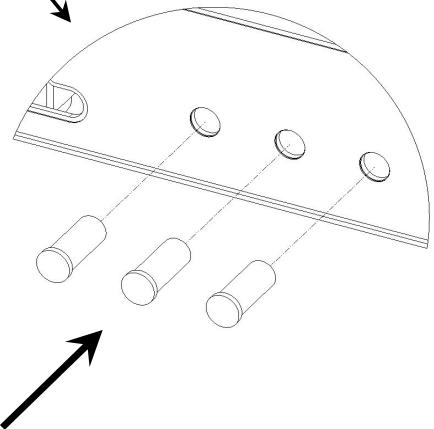
**Assembly instructions
LED Light Guide Set
UM-PCE-201
zr-lgs-007**



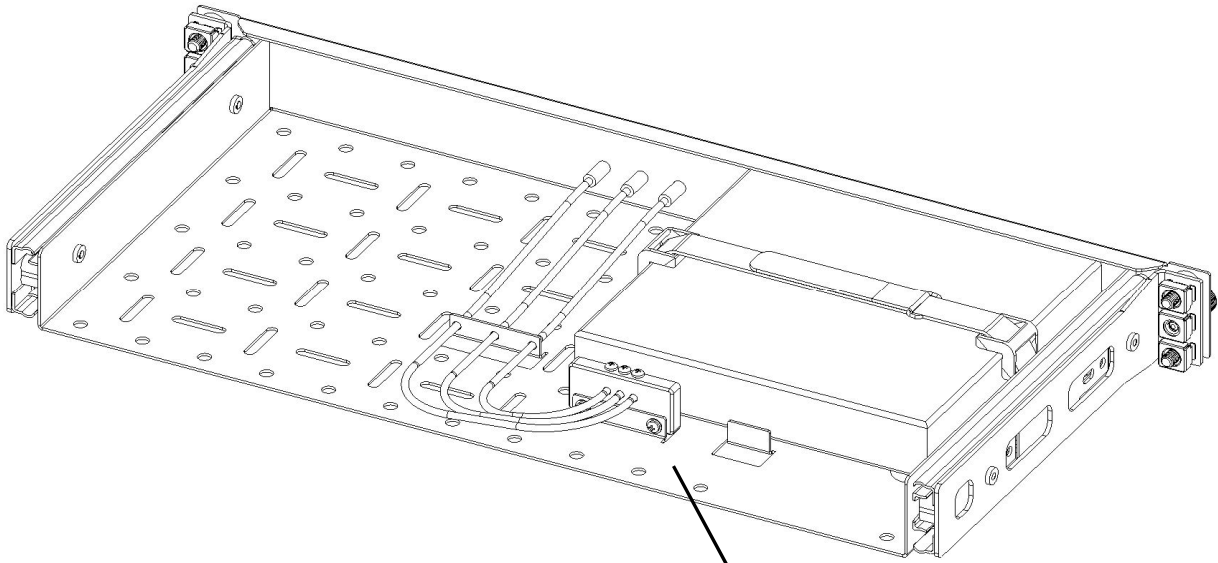


1. Press in lenses

Using moderate pressure, press the lenses into the designated holes in the Rack Mount Kit.



Press in



2. Loosely pre-assemble the light pipe holder

Fasten the light pipe holder loosely to the Rack Mount Kit with the fastening screws (included in the scope of supply).

3. Loosely mount the flexible light pipes

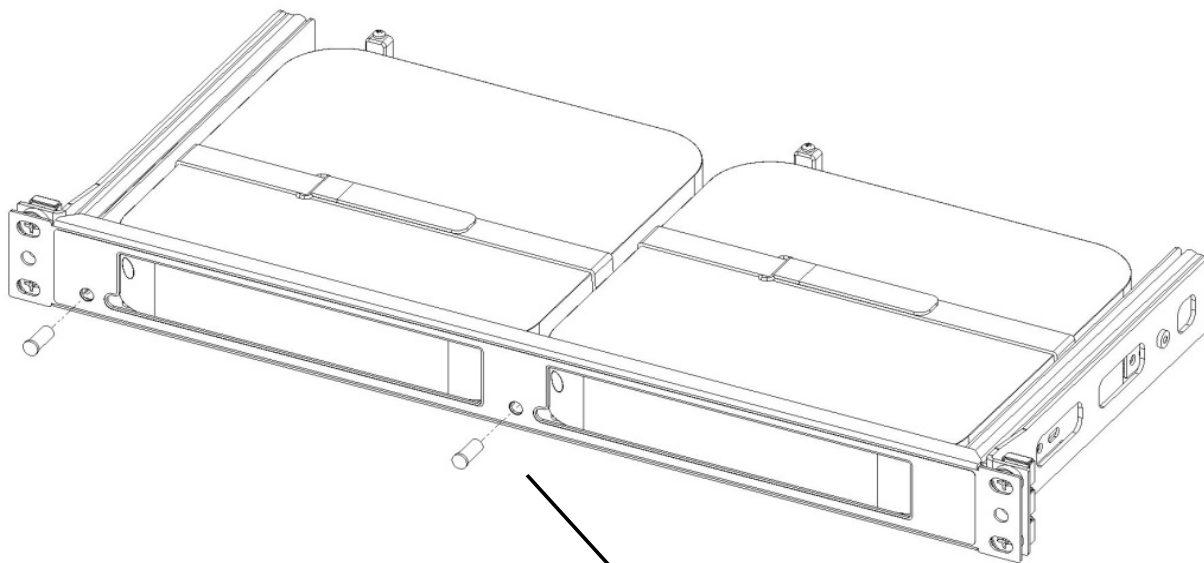
Fasten the light pipes loosely to the light pipe holder with the fixing screw (included in the scope of supply).

4. Fasten the light pipe holder and the flexible light pipes

Adjust the light pipes for optimal illumination at the front of the Rack Mount Kit and tighten the screws.

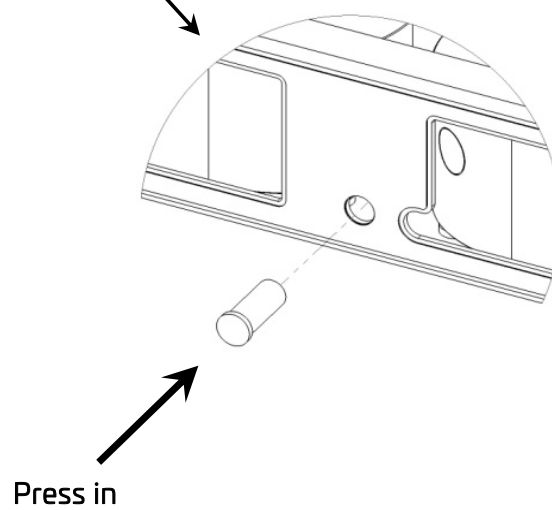
Assembly instructions
LED Light Guide Set
zr-lgs-008
UM-APP-206

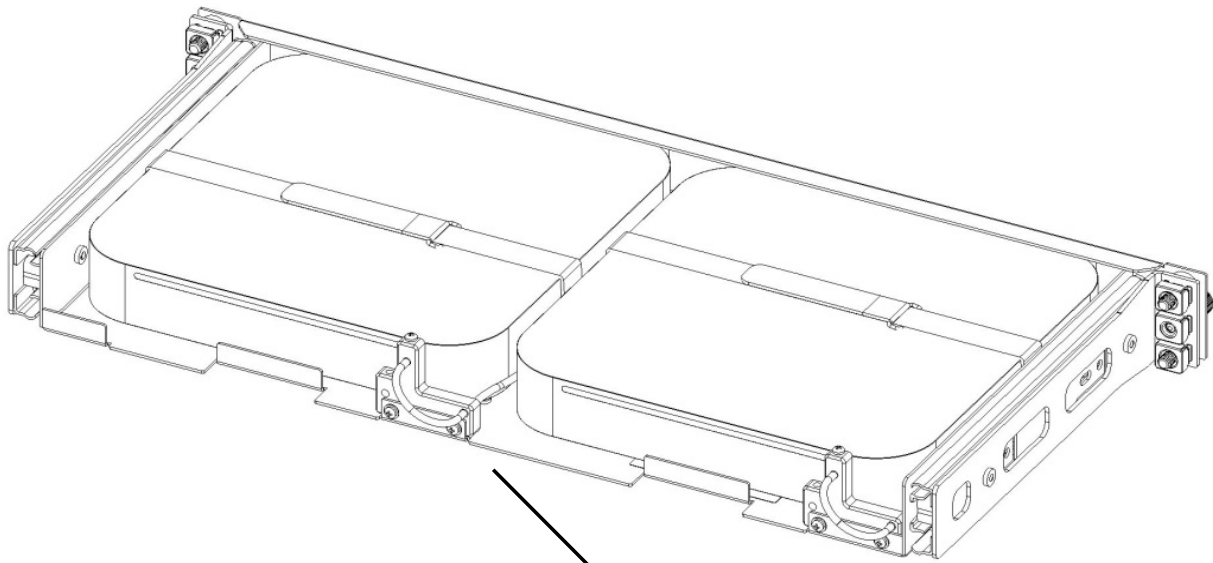




1. Press in lenses

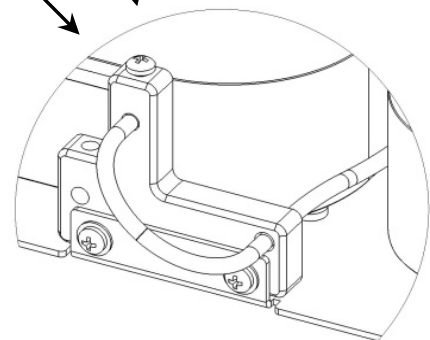
Using moderate pressure, press the lenses into the designated holes in the Rack Mount Kit.





2. Loosely pre-assemble the light pipe holder

Fasten the light pipe holder loosely to the Rack Mount Kit with the fastening screws (included in the scope of supply).



3. Loosely mount the flexible light pipes

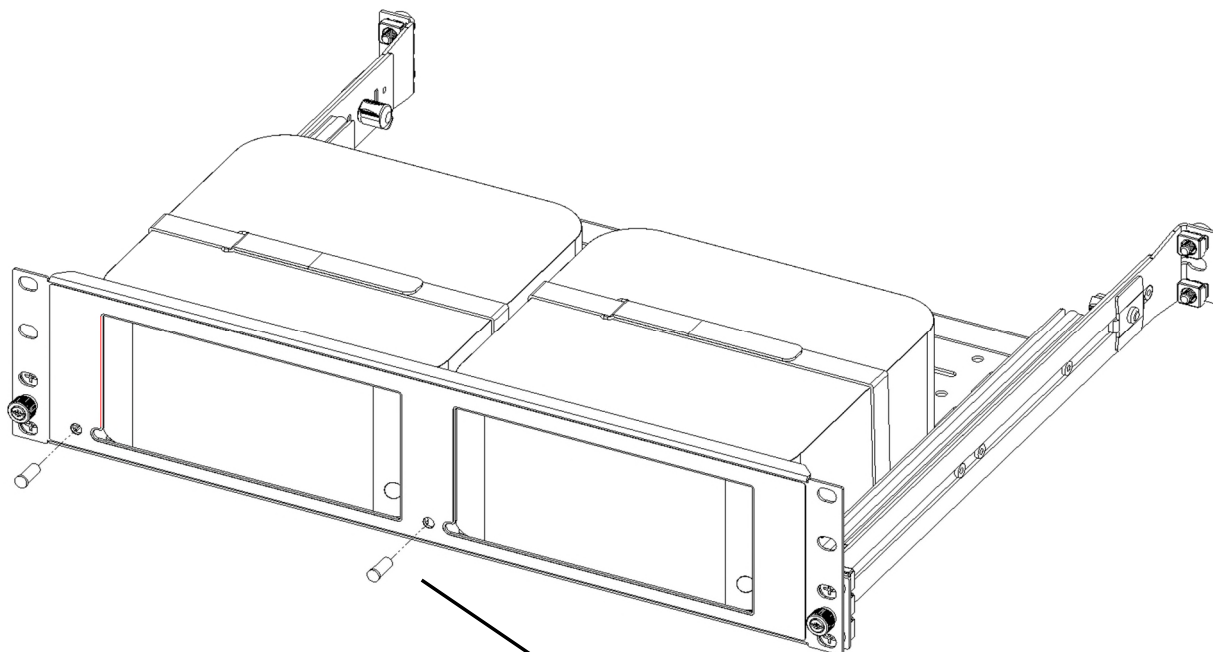
Fasten the light pipes loosely to the light pipe holder with the fixing screw (included in the scope of supply).

4. Fasten the light pipe holder and the flexible light pipes

Adjust the light pipes for optimal illumination at the front of the Rack Mount Kit and tighten the screws.

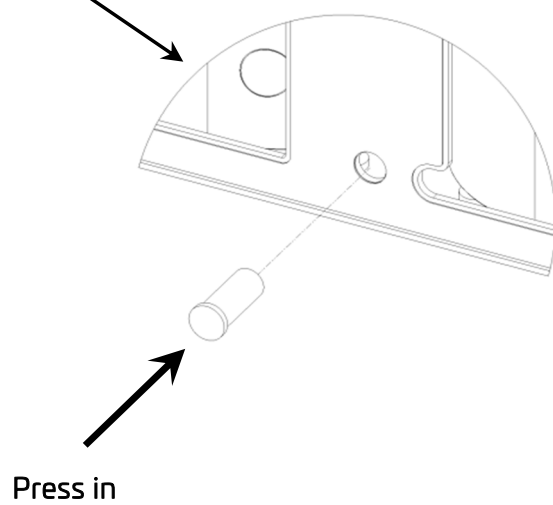
Assembly instructions
LED Light Guide Set
zr-lgs-009
UM-APP-204

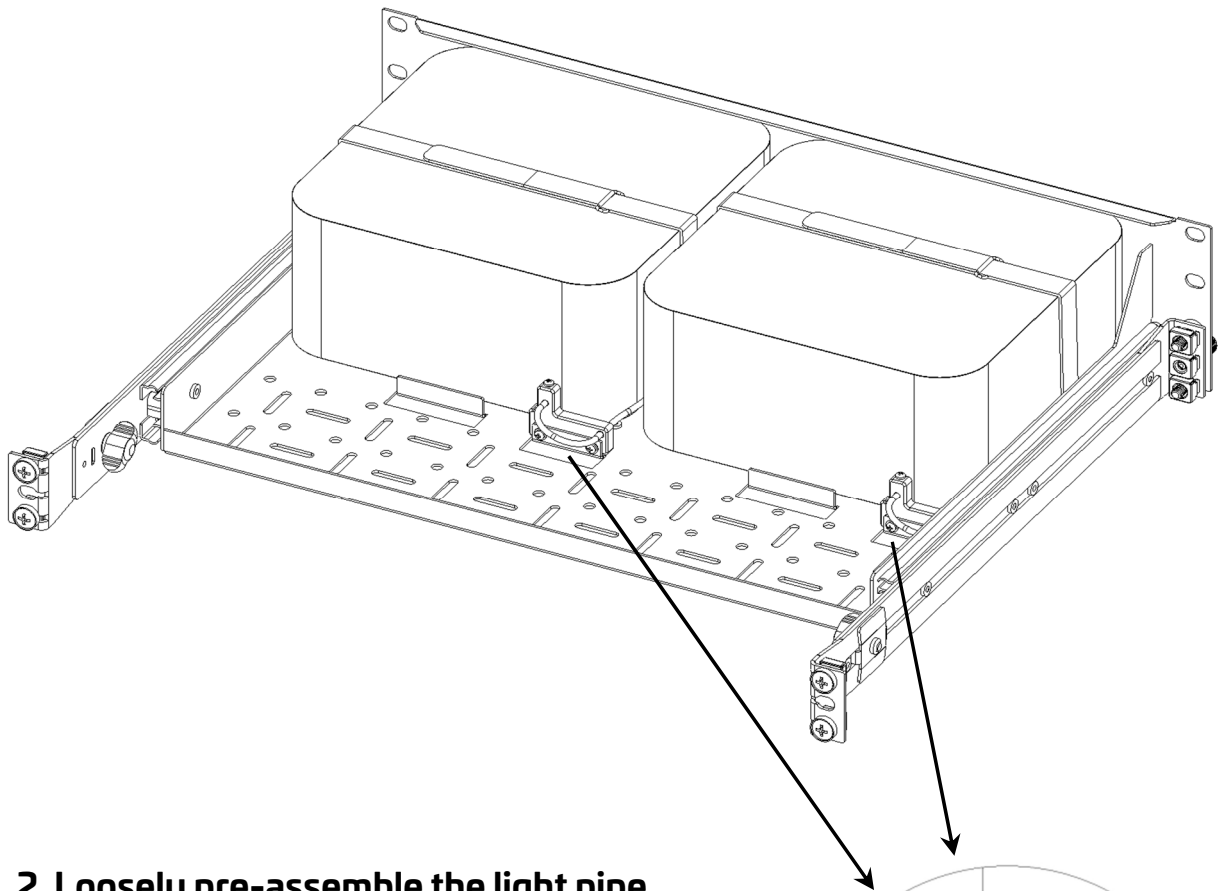




1. Press in lenses

Using moderate pressure, press the lenses into the designated holes in the Rack Mount Kit.





2. Loosely pre-assemble the light pipe holder

Fasten the light pipe holder loosely to the Rack Mount Kit with the fastening screws (included in the scope of supply).

3. Loosely mount the flexible light pipes

Fasten the light pipes loosely to the light pipe holder with the fixing screw (included in the scope of supply).

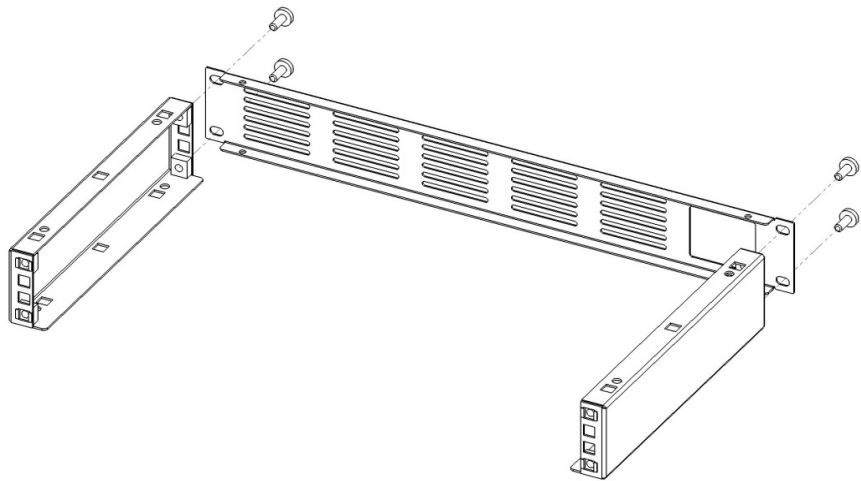
4. Fasten the light pipe holder and the flexible light pipes

Adjust the light pipes for optimal illumination at the front of the Rack Mount Kit and tighten the screws.

Assembly instructions Rack Mount Bracket

zr-msk- _ _ _





1. Pre-assemble the Rack Mount Bracket

Fasten the chassis parts using the rackmount screws (included in the scope of supply).

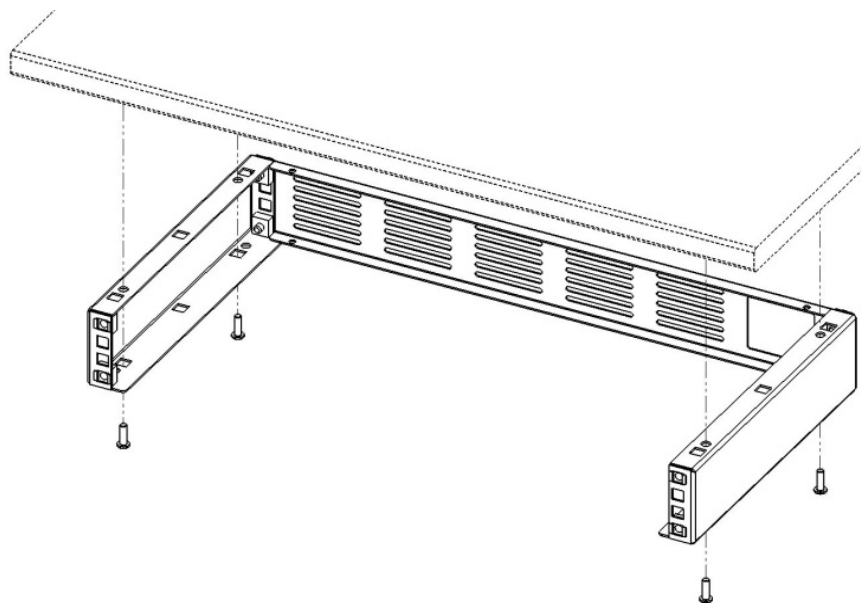
2. Fasten the Rack Mount Brackets

Align the Rack Mount Kit in the desired position (furniture, wall, etc.) and secure it carefully with the appropriate mounting hardware (NOT included in the scope of supply).

Hole spacing:

10 inch | width 240mm; depth 175 or 255mm

19 inch | width 470mm; depth 175 or 255mm





Hole spacing:

zr-msk-001 | width 470mm x depth 175mm

zr-msk-002 | width 470mm x depth 175mm

zr-msk-003 | width 470mm x depth 175mm

zr-msk-004 | width 470mm x depth 175mm

zr-msk-005 | width 470mm x depth 175mm

zr-msk-011 | width 470mm x depth 255mm

zr-msk-012 | width 470mm x depth 255mm

zr-msk-013 | width 470mm x depth 255mm

zr-msk-014 | width 470mm x depth 255mm

zr-msk-015 | width 470mm x depth 255mm

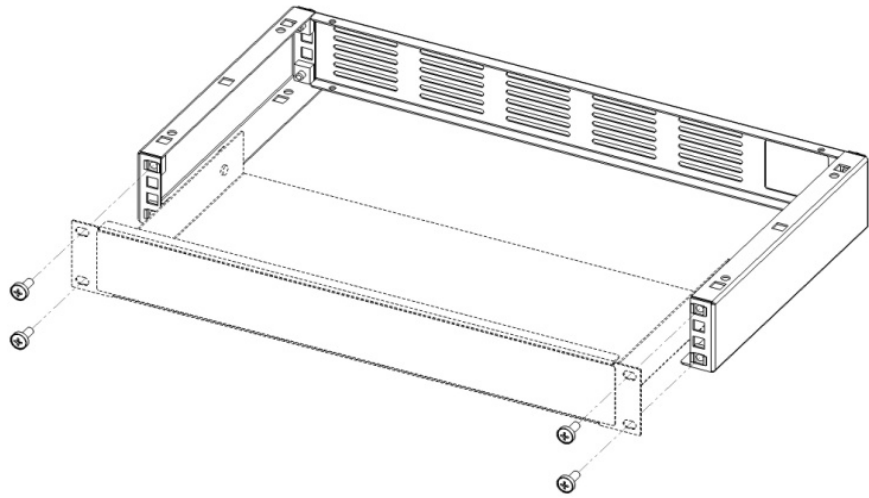
zr-msk-321 | width 240mm x depth 175mm

zr-msk-322 | width 240mm x depth 175mm

zr-msk-323 | width 240mm x depth 175mm

zr-msk-324 | width 240mm x depth 175mm

zr-msk-325 | width 240mm x depth 175mm

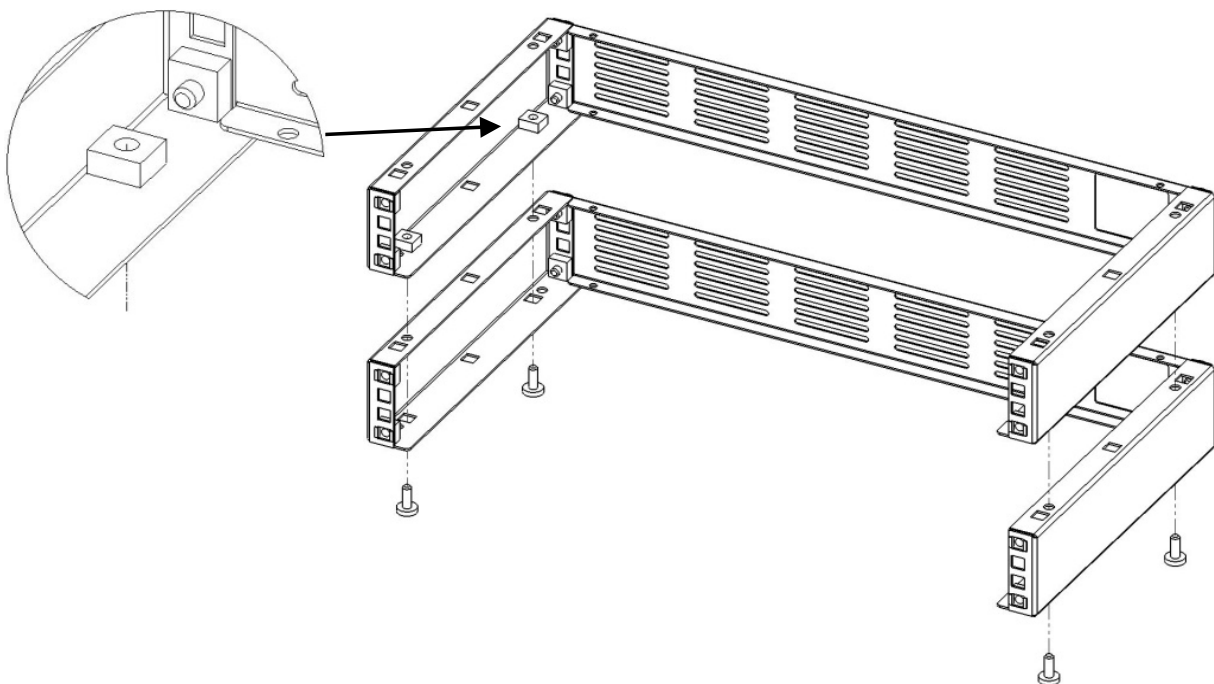


3. Fasten the device to the Rack Mount Bracket

Fasten the device (NOT included in the scope of supply) to the Rack Mount Bracket using the rackmount screws (included in the scope of supply).

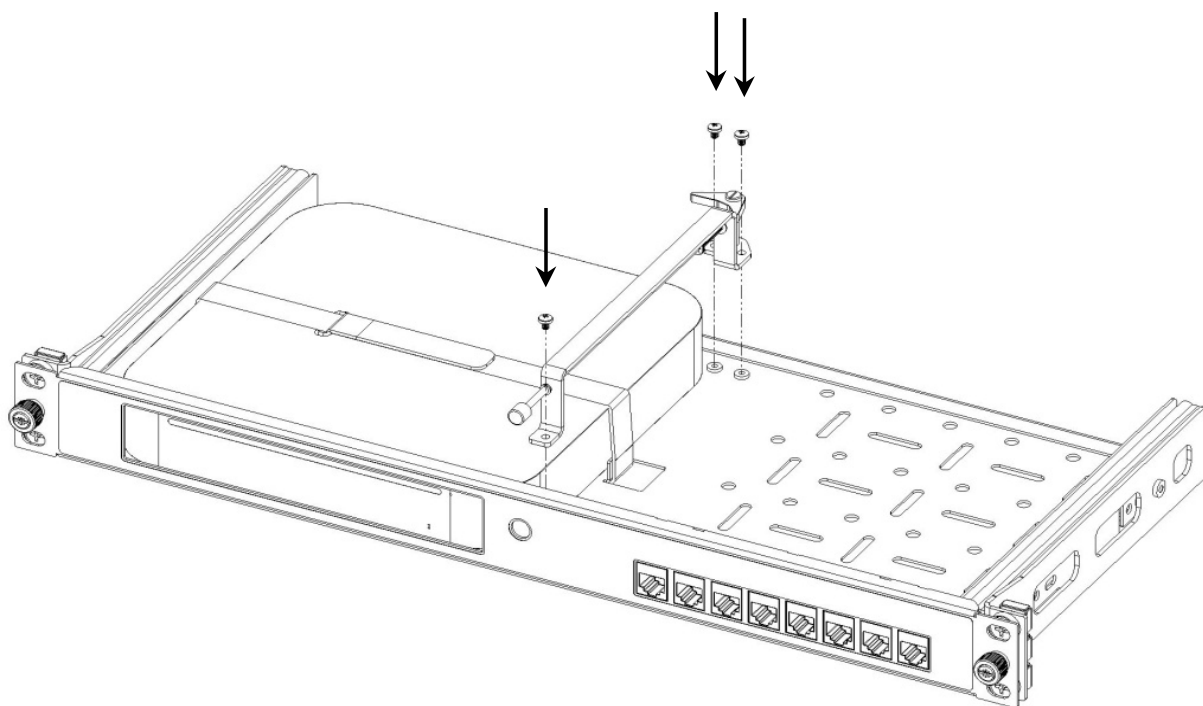
4. Fasten the modular expansion

Fasten additional rack mount brackets in a modular fashion using the rackmount screws (included in the scope of supply) as shown below.



**Assembly instructions
Power Button Kit
zr-pbk-001**



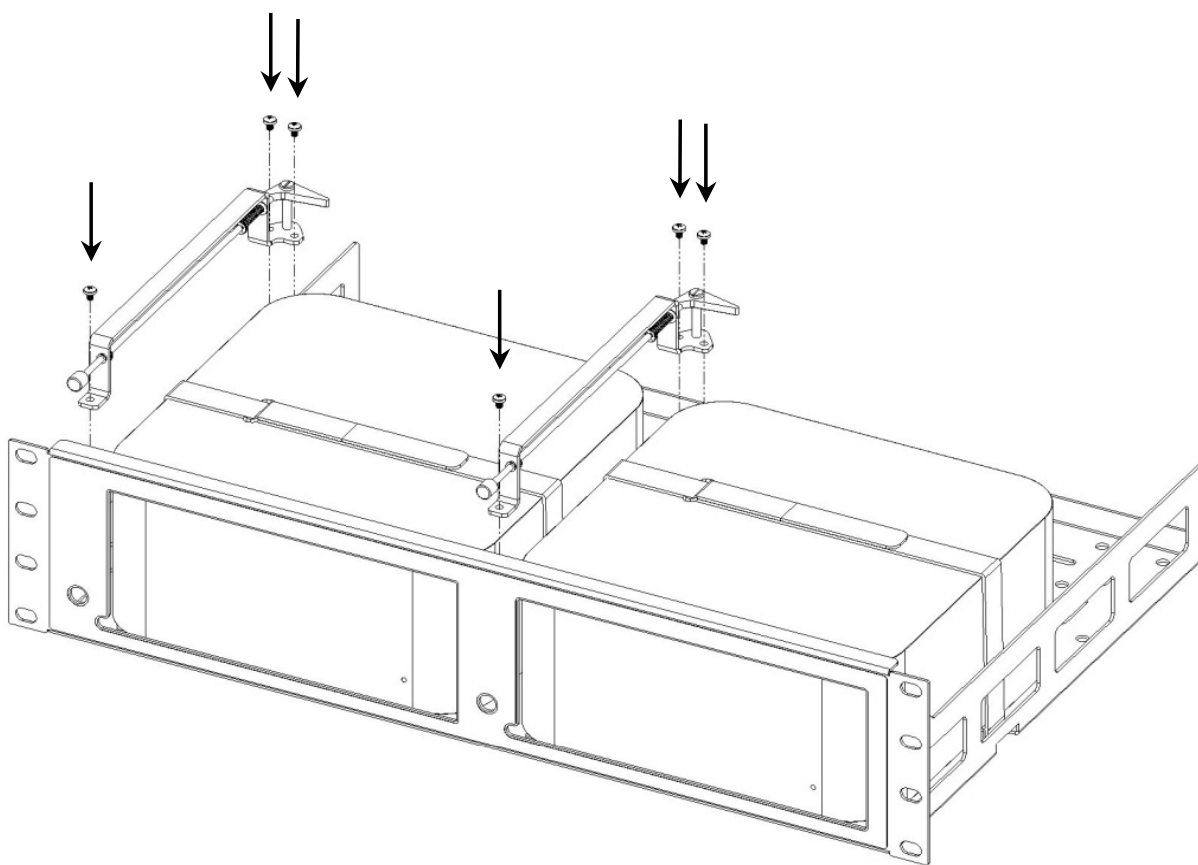


Fasten the Power Button Kit

Fasten the Power Button Kit to the Rack Mount Kit using the mounting screws (included in the scope of supply).

**Assembly instructions
Power Button Kit
zr-pbk-002**





Fasten the Power Button Kit

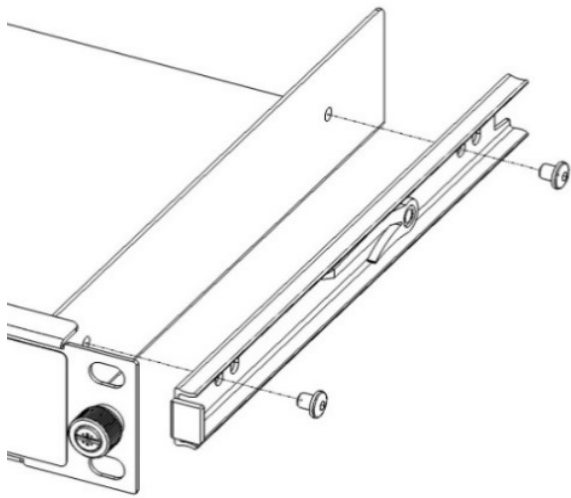
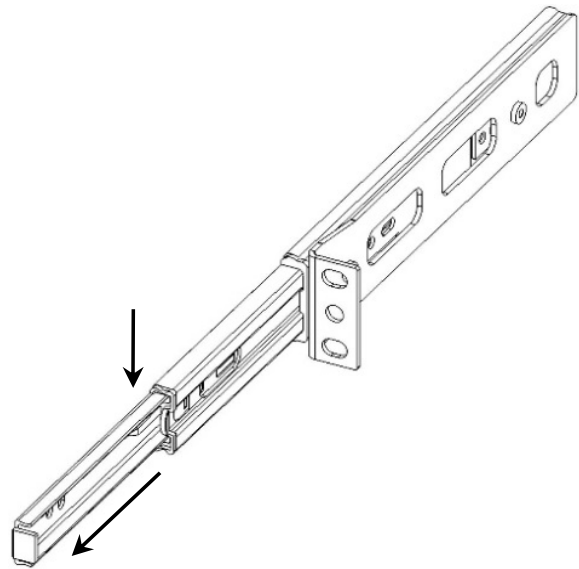
Fasten the Power Button Kit to the Rack Mount Kit using the mounting screws (included in the scope of supply).

**Assembly instructions
Rail System
zr-rak-002**



1. Prepare assembly

Extend the Rail Systems Kit pull-out element completely and release it from the mounting bracket with the safety hook on the left and on the right side.

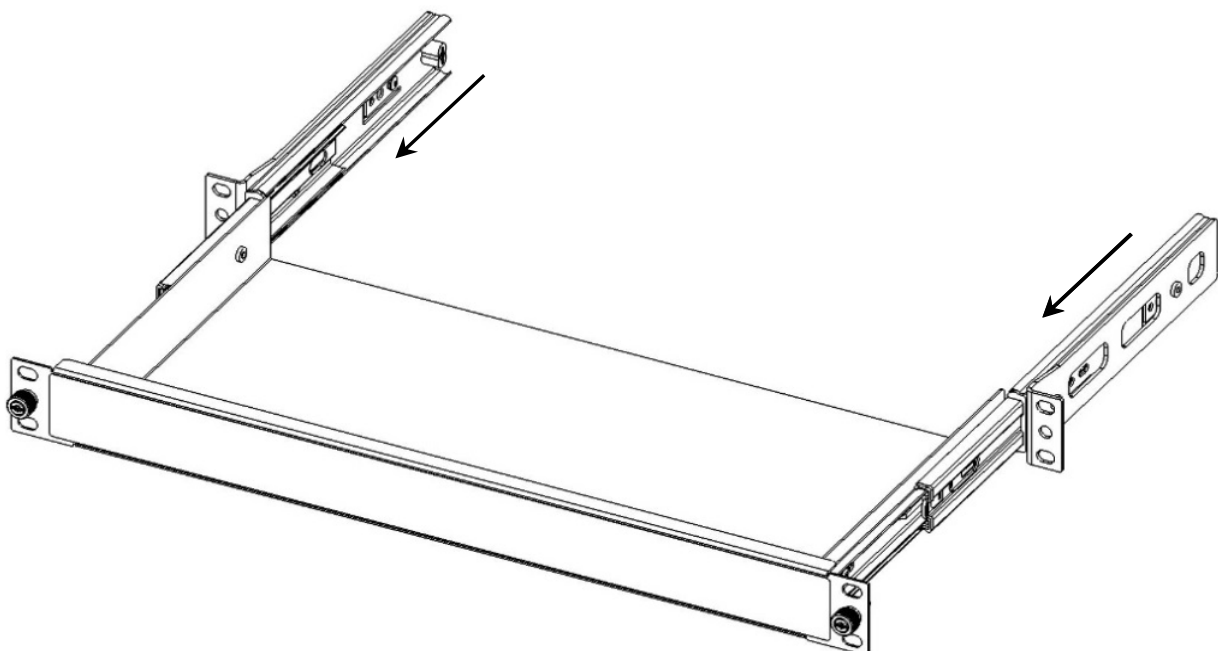


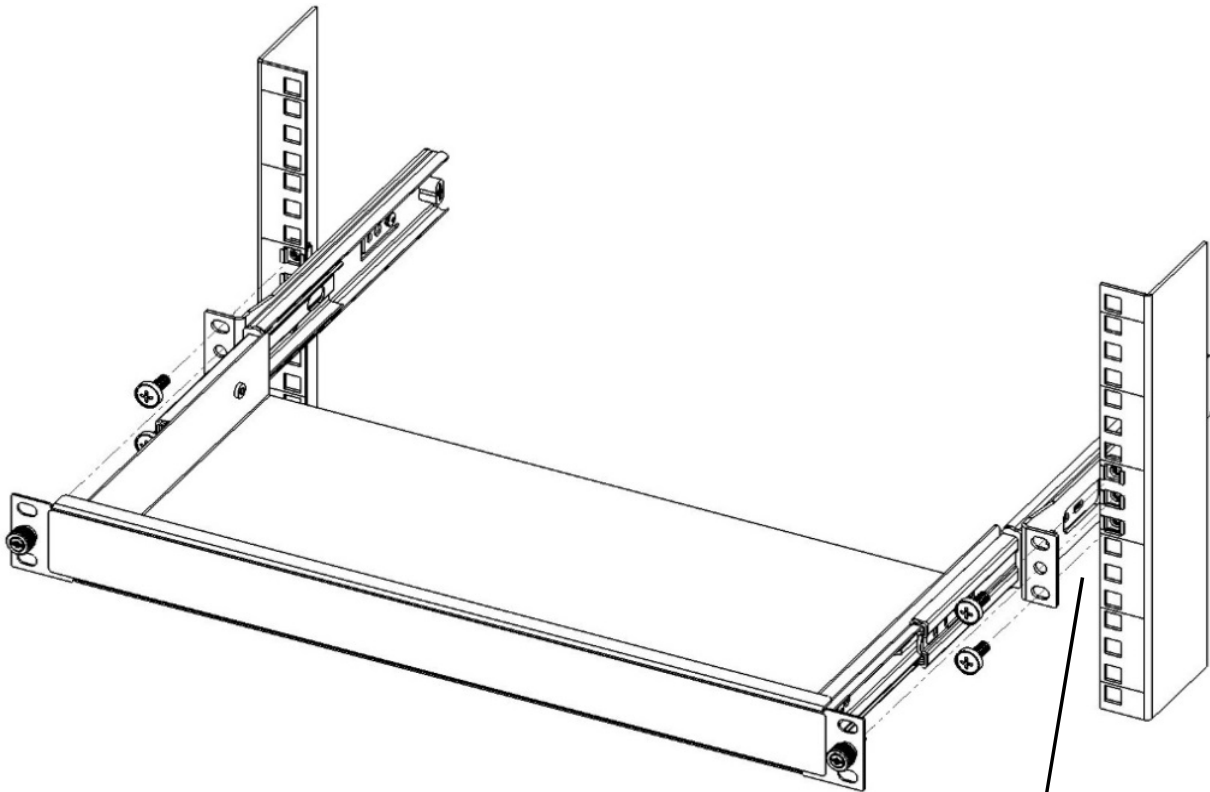
2. Screw the pull-out element to the Rack Mount Kit

Attach the drawer unit to the Rack Mount Kit using the mounting screws M4x5 (included in the scope of supply) on the left and on the right side.

3. Slide the mounting bracket into the Rack Mount Kit

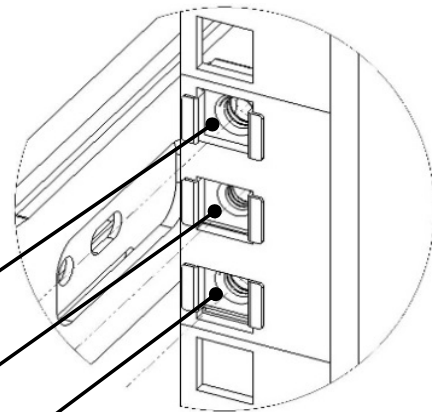
Reconnect the mounting bracket to the Rack Mount Kit. The locking hooks lock themselves. One for the left and one for the right side.





4. Fasten the Rack Mount Kit with the Rail System in the server cabinet

Position the Rack Mount Kit at the desired height in your server cabinet and fasten it with the rackmount screws M6x16 (included in the scope of supply).



Detail only for Square Rack Hole Mounting!

Cage Nut M6 (black)

Cage Nut M5 (silber)

Cage Nut M6 (black)

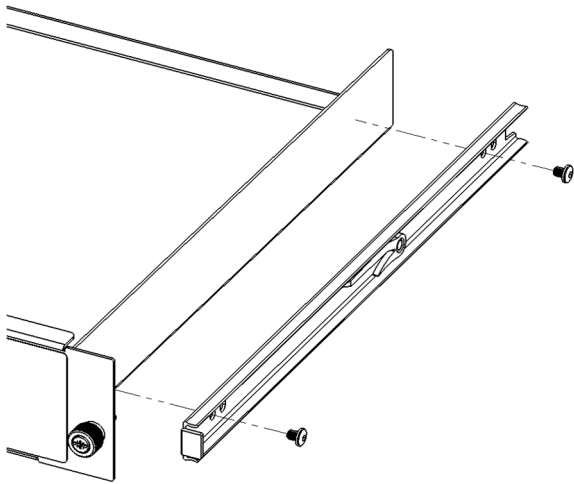
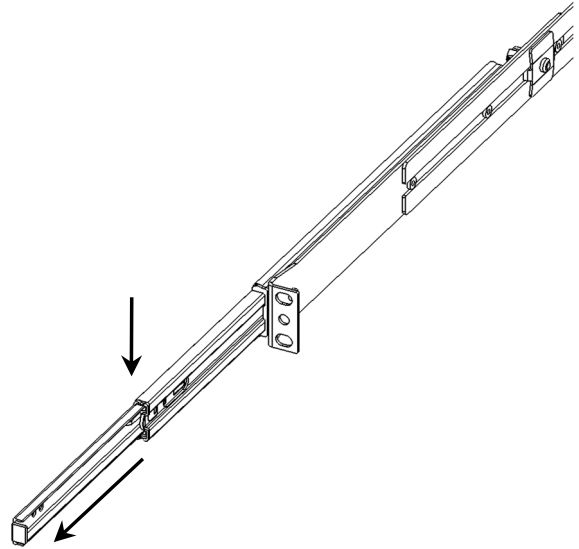
Assembly instructions
Rail System
zr-rak-005

Extension 300mm | Cabinet depths of 400mm to 900mm



1. Prepare assembly

Extend the Rail Systems Kit pull-out element completely and release it from the mounting bracket with the safety hook on the left and on the right side.

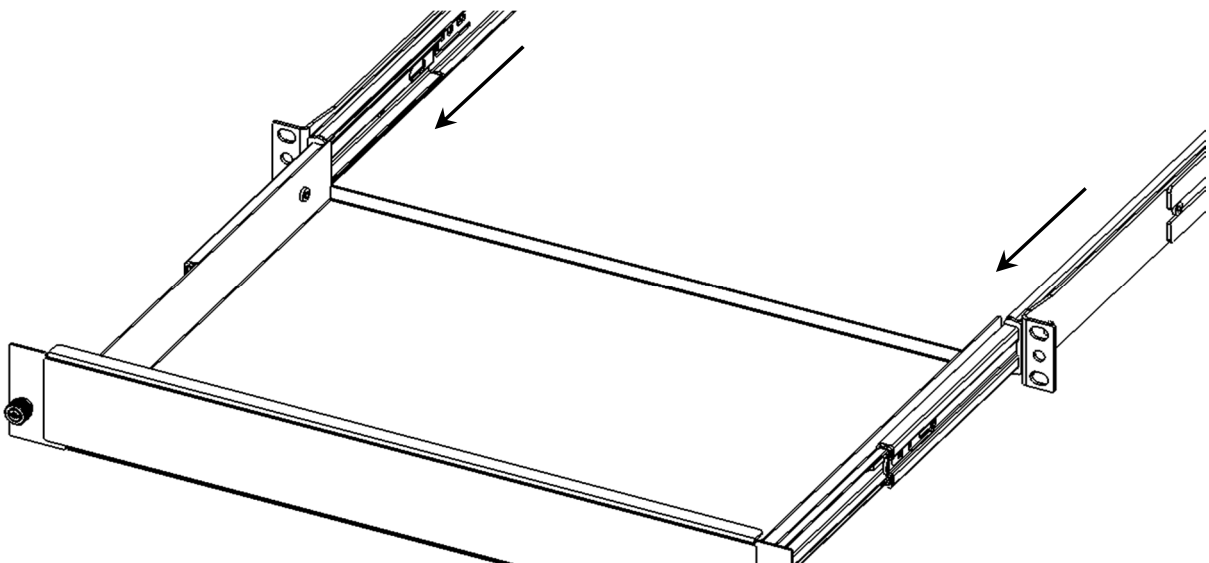


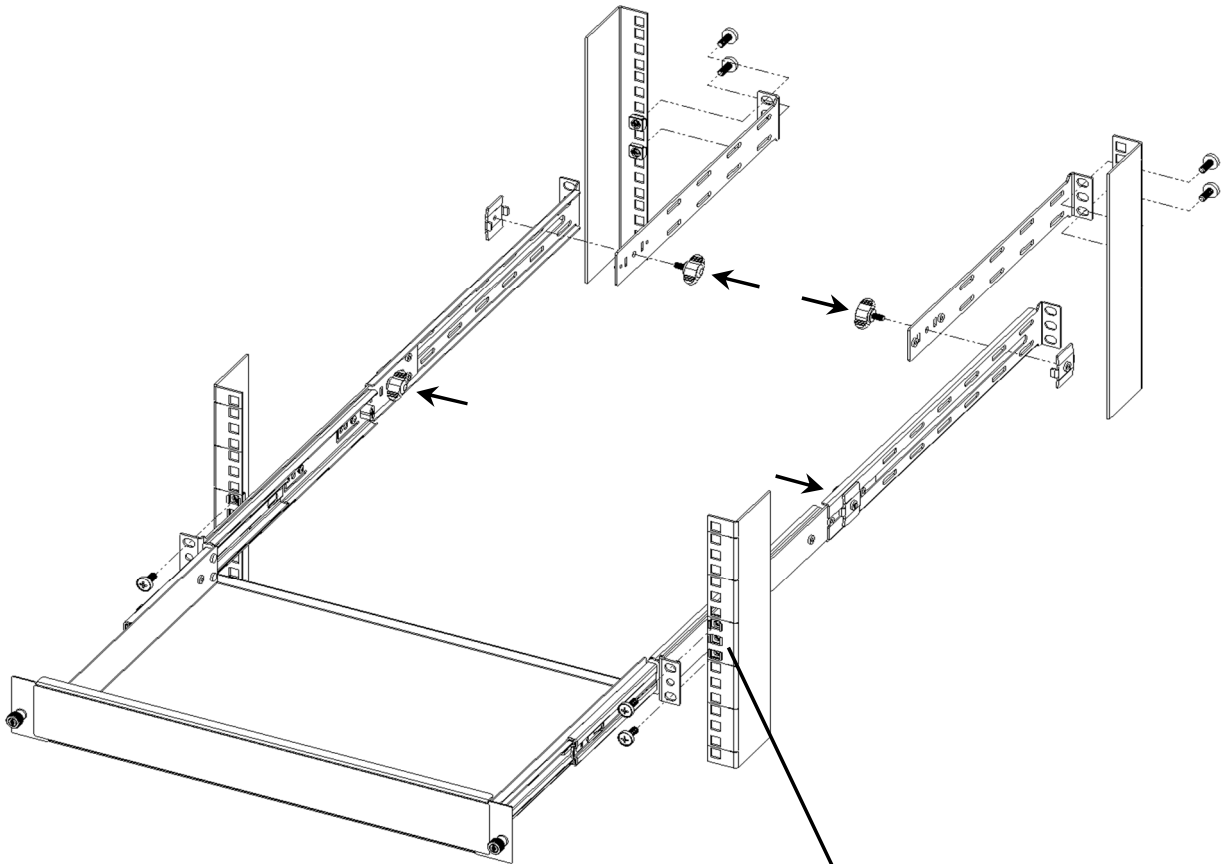
2. Screw the pull-out element to the Rack Mount Kit

Attach the drawer unit to the Rack Mount Kit using the mounting screws M4x5 (included in the scope of supply) on the left and on the right side.

3. Slide the mounting bracket into the Rack Mount Kit

Reconnect the mounting bracket to the Rack Mount Kit. The locking hooks lock themselves. One for the left and one for the right side.





4. Fasten Rack Mount Kit with Rail System in the server cabinet

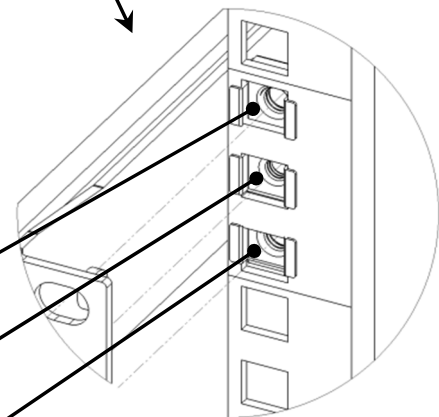
Position the Rack Mount Kit at the desired height in your server cabinet and fasten it with the rackmount screws M6x16 (included in the scope of supply).

Detail only for Square Rack Hole Mounting!

Cage Nut M6 (black)

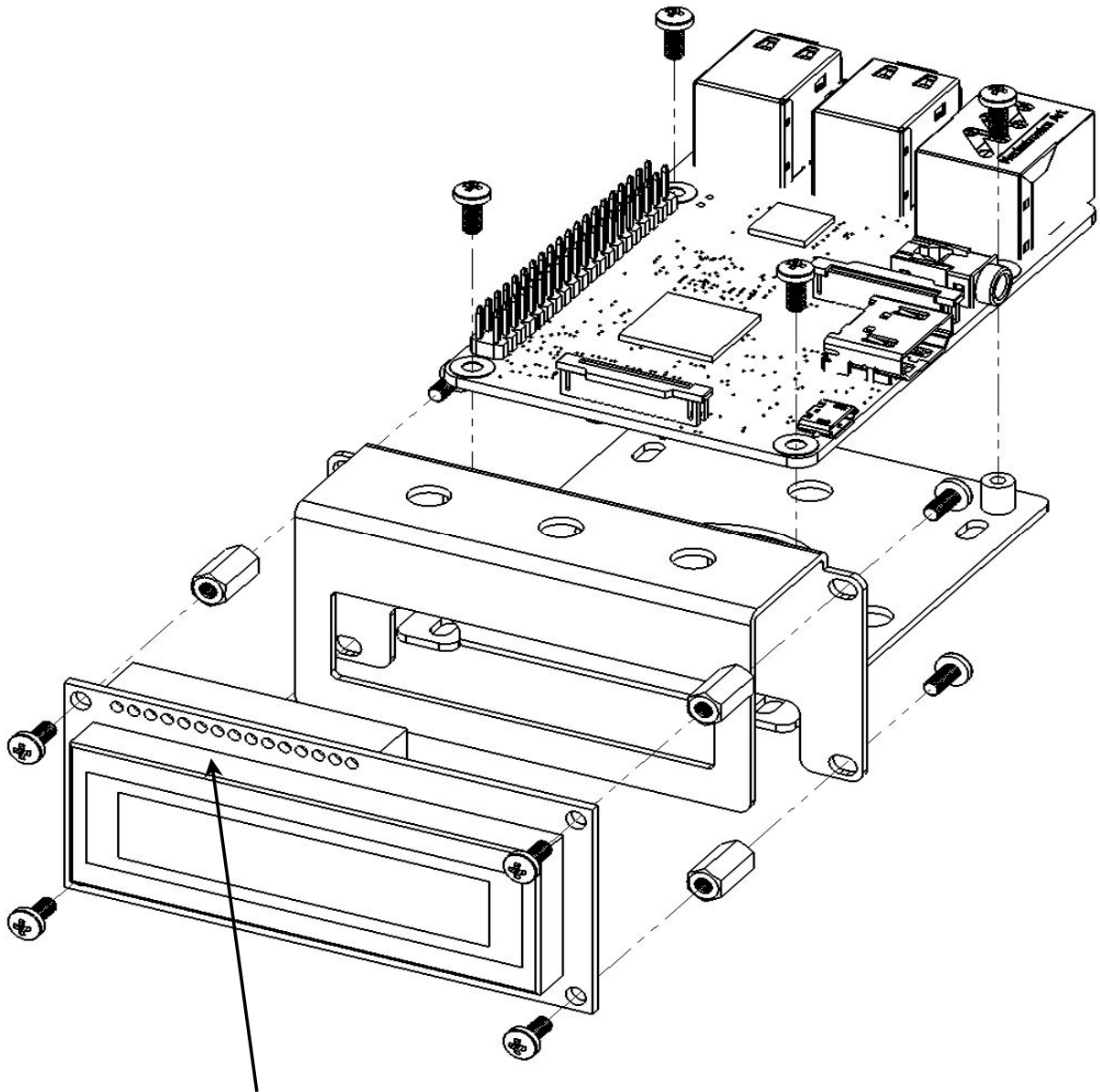
Cage Nut M5 (silber)

Cage Nut M6 (black)



**Assembly instructions
16x2 LCD Slot Display
zr-sbc-701**





1. Align the display

Align the display correctly (connector, as shown, top left) to ensure later installation of the monitor bezel on the Rack Mount Kit.

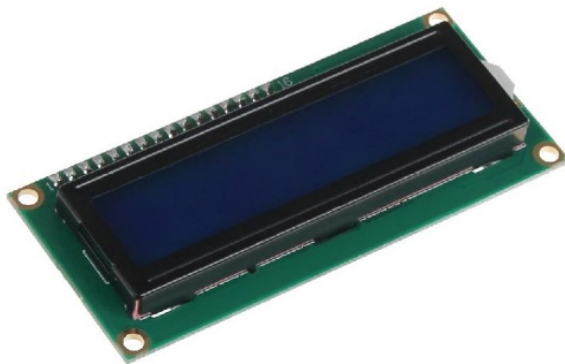
2. Fasten the display insert

Fasten the display to the bracket using the hex spacers M2.5x10 and the M2.5x6 screws (included in the scope of supply).

Fasten the **Slot Display** to the Rack Mount Kit using the M2.5x6 screws (included in the scope of supply).

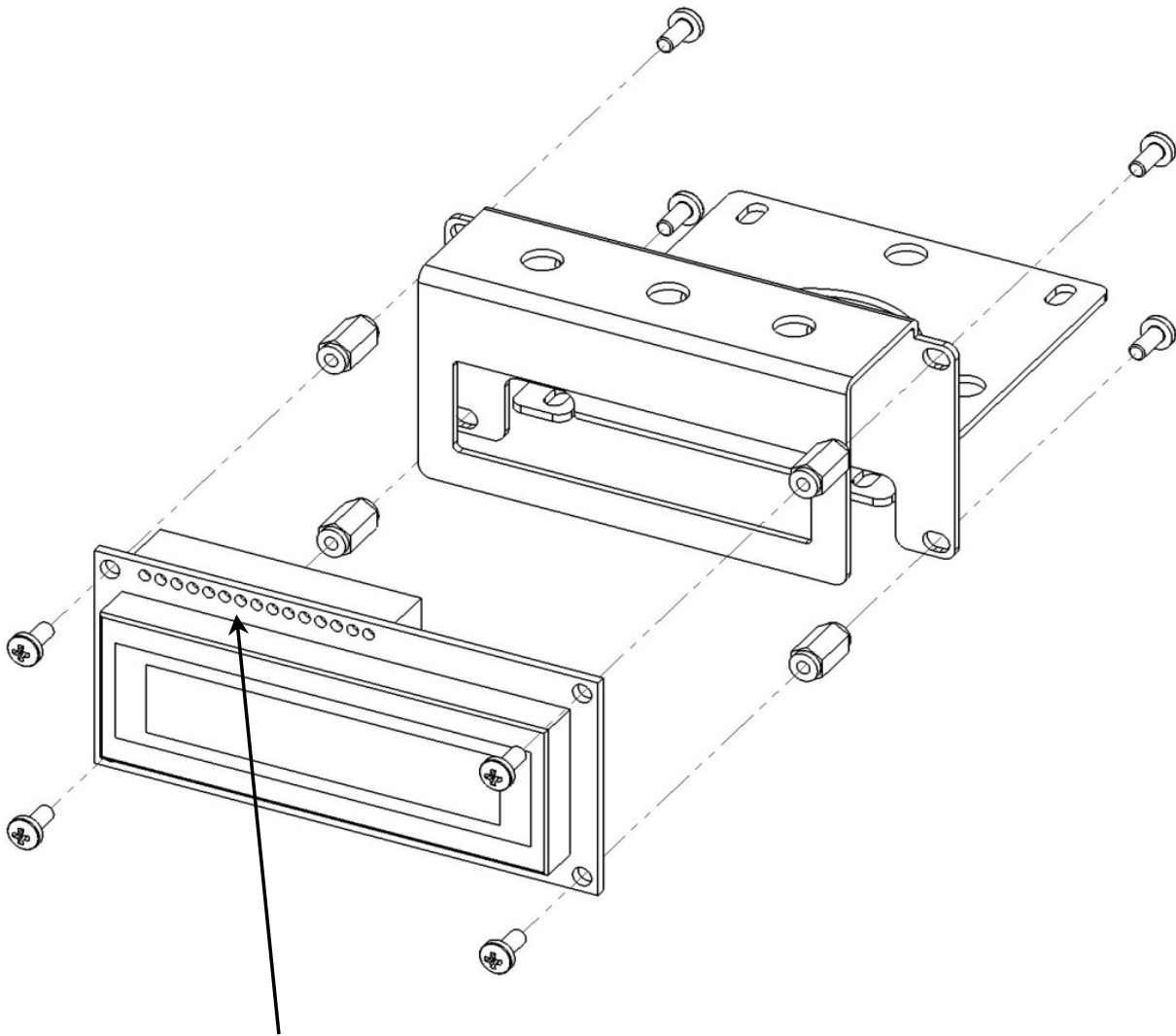


I2C Serial 2.6" LCD Module



Technical Specifications

Model	SBC-LCD16x2
Name	I2C Serial 2.6" LCD Module
Displaysize	2.6"
Characters	16x2 characters (2 rows with 16 columns)
Backlight	Blue
Adapterchip	PCF8574AT
Industry-Standard	HD44780
Logiclevel	3,3V & 5V (with a power supply of 5V)
Special functions	Soldered I2C-communication-adapter: Only 4 I/O lines are needed (power supply + 2 data-lines)
Dimensions (H x L x W)	8 x 2,5 x 0.6 cm
EAN	4250236813219



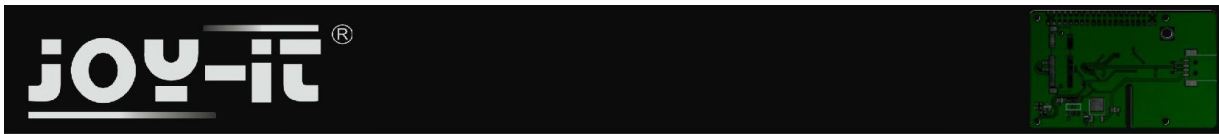
1. Align the display

Align the display correctly (connector, as shown, top left) to ensure later installation of the monitor bezel on the Rack Mount Kit.

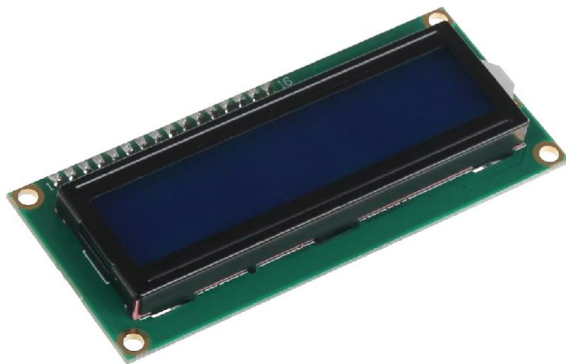
2. Fasten the display insert

Fasten the display to the bracket using the hex spacers M2.5x10 and the M2.5x6 screws (included in the scope of supply).

Fasten the **Slot Display** to the Rack Mount Kit using the M2.5x6 screws (included in the scope of supply).



I2C Serial 2.6" LCD Module

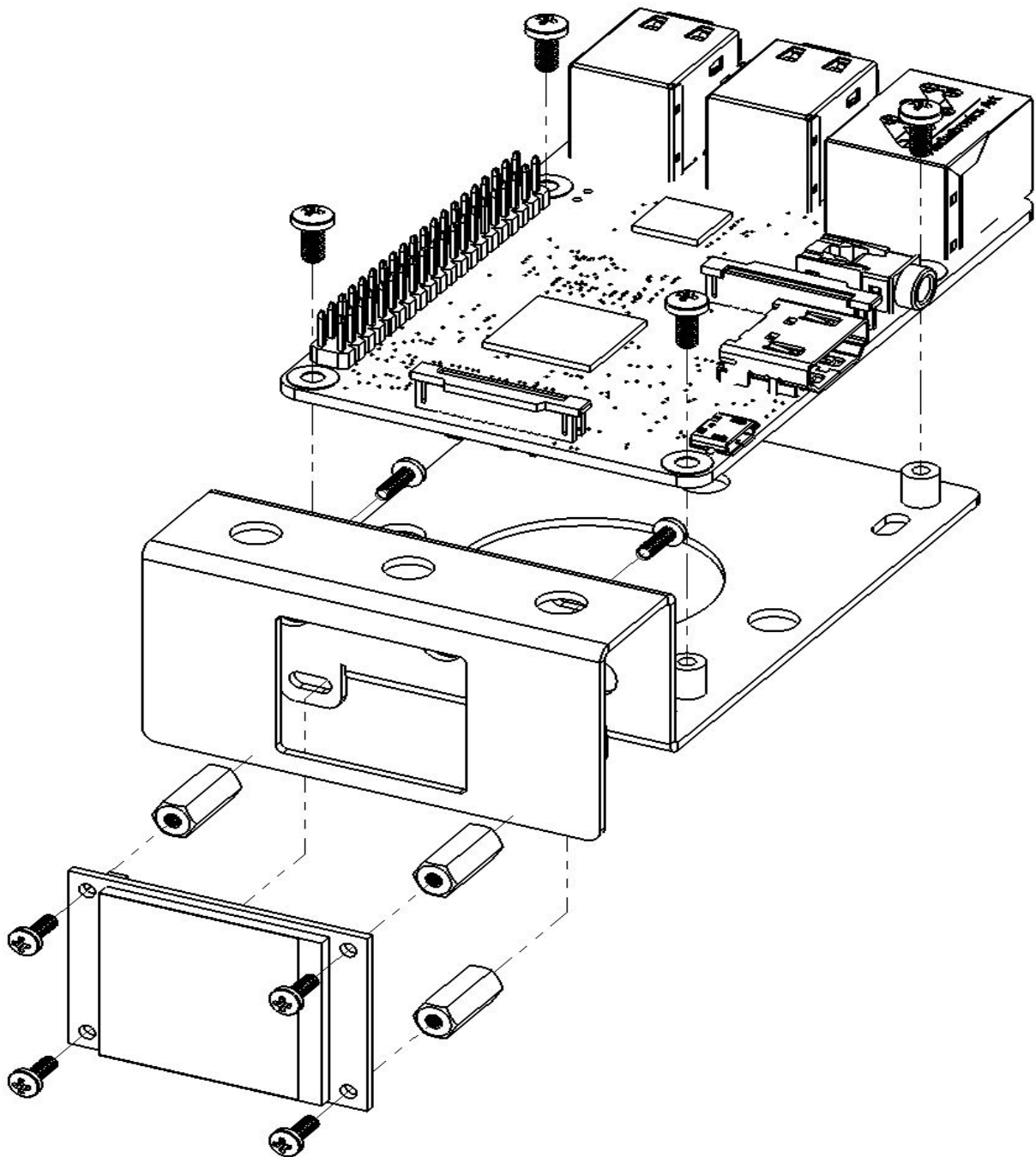


Technical Specifications

Model	SBC-LCD16x2
Name	I2C Serial 2.6" LCD Module
Displaysize	2.6"
Characters	16x2 characters (2 rows with 16 columns)
Backlight	Blue
Adapterchip	PCF8574AT
Industry-Standard	HD44780
Logiclevel	3,3V & 5V (with a power supply of 5V)
Special functions	Soldered I2C-communication-adapter: Only 4 I/O lines are needed (power supply + 2 data-lines)
Dimensions (H x L x W)	8 x 2,5 x 0.6 cm
EAN	4250236813219

Assembly instructions
1.3" TFT-LCD Slot Display
zr-sbc-702





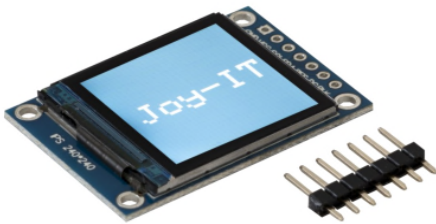
Fasten the display insert

Fasten the display to the bracket using the hex spacers and the M2.5x6 screws (included in the scope of supply).

Fasten the **Slot Display** to the Rack Mount Kit using the M2.5x6 screws (included in the scope of supply).

SBC-LCD01

1.3-Inch HD IPS TFT LCD



This IPS TFT display is controlled via SPI. This makes it suitable for use as an output device for micro-controllers (e.g. NodeMCU) and single-board computers (e.g. Raspberry Pi). By using a high-resolution IPS panel with a pixel density of over 260 PPI, content can be displayed in high-resolution on the compact display.



Published: 29.09.2020

MAIN FEATURES

Type	Full color IPS TFT-LCD
Resolution	240 x 240 Pixel
Control chip	ST7789VW
Interfaces	SPI
Dimensions	30 x 27 x 10 mm
Items delivered	SBC-LCD01

FURTHER SPECIFICATIONS

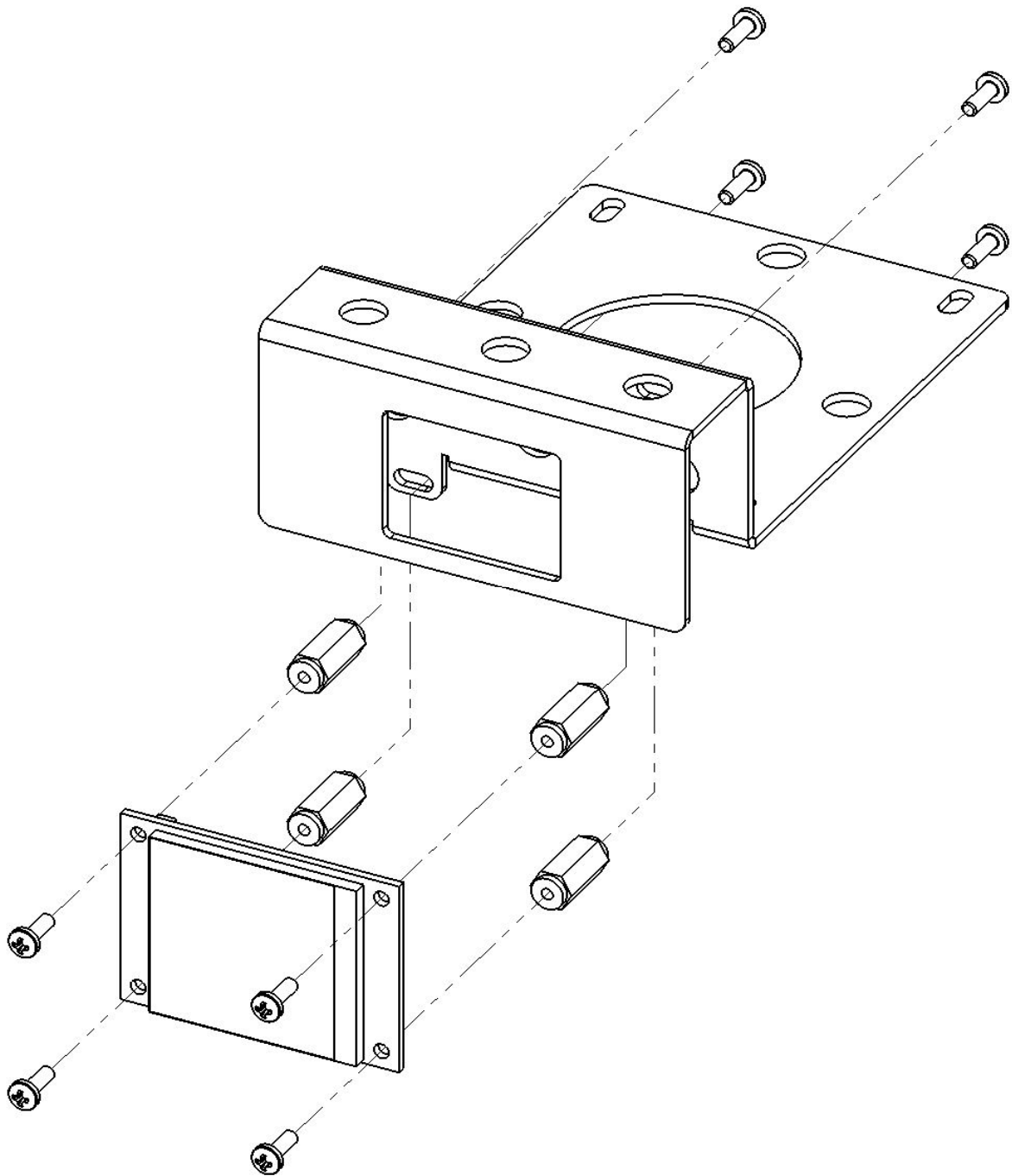
Supply voltage	3.3 V
Supply current	8 - 10 mA
Logic level voltage	3.3 V
Brightness	300- 350 cd/m ²
Contrast	640-800 : 1
Response time	30-35 ms
Operation temperature	-20 °C - 70 °C

FURTHER DETAILS

Article No.	SBC-LCD01
EAN:	4250236820330
Customs Tariff No.	8473302000

www.joy-it.net

SIMAC Electronics GmbH,
Pascalstr. 8, 47506 Neukirchen-Vluyn



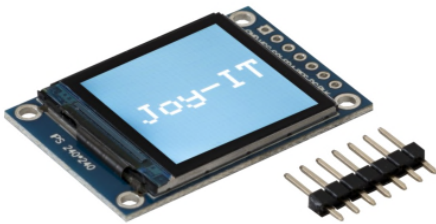
Fasten the display insert

Fasten the display to the bracket using the hex spacers and the M2.5x6 screws (included in the scope of supply).

Fasten the **Slot Display** to the Rack Mount Kit using the M2.5x6 screws (included in the scope of supply).

SBC-LCD01

1.3-Inch HD IPS TFT LCD



This IPS TFT display is controlled via SPI. This makes it suitable for use as an output device for micro-controllers (e.g. NodeMCU) and single-board computers (e.g. Raspberry Pi). By using a high-resolution IPS panel with a pixel density of over 260 PPI, content can be displayed in high-resolution on the compact display.



Published: 29.09.2020

MAIN FEATURES

Type	Full color IPS TFT-LCD
Resolution	240 x 240 Pixel
Control chip	ST7789VW
Interfaces	SPI
Dimensions	30 x 27 x 10 mm
Items delivered	SBC-LCD01

FURTHER SPECIFICATIONS

Supply voltage	3.3 V
Supply current	8 - 10 mA
Logic level voltage	3.3 V
Brightness	300- 350 cd/m ²
Contrast	640-800 : 1
Response time	30-35 ms
Operation temperature	-20 °C - 70 °C

FURTHER DETAILS

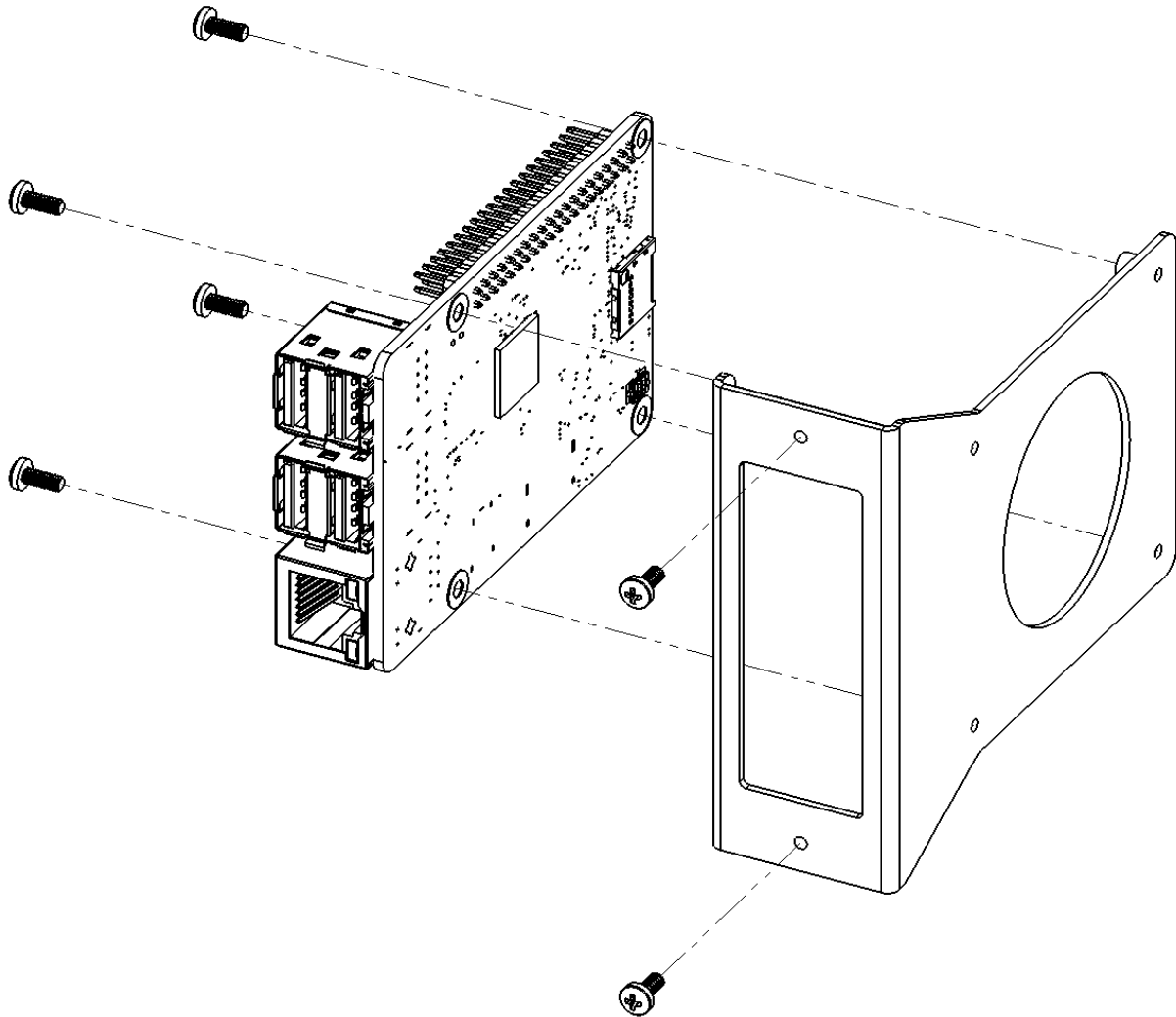
Article No.	SBC-LCD01
EAN:	4250236820330
Customs Tariff No.	8473302000

www.joy-it.net

SIMAC Electronics GmbH,
Pascalstr. 8, 47506 Neukirchen-Vluyn

**Assembly instructions
Raspberry Pi Insert
zr-sbc-904 (D)**



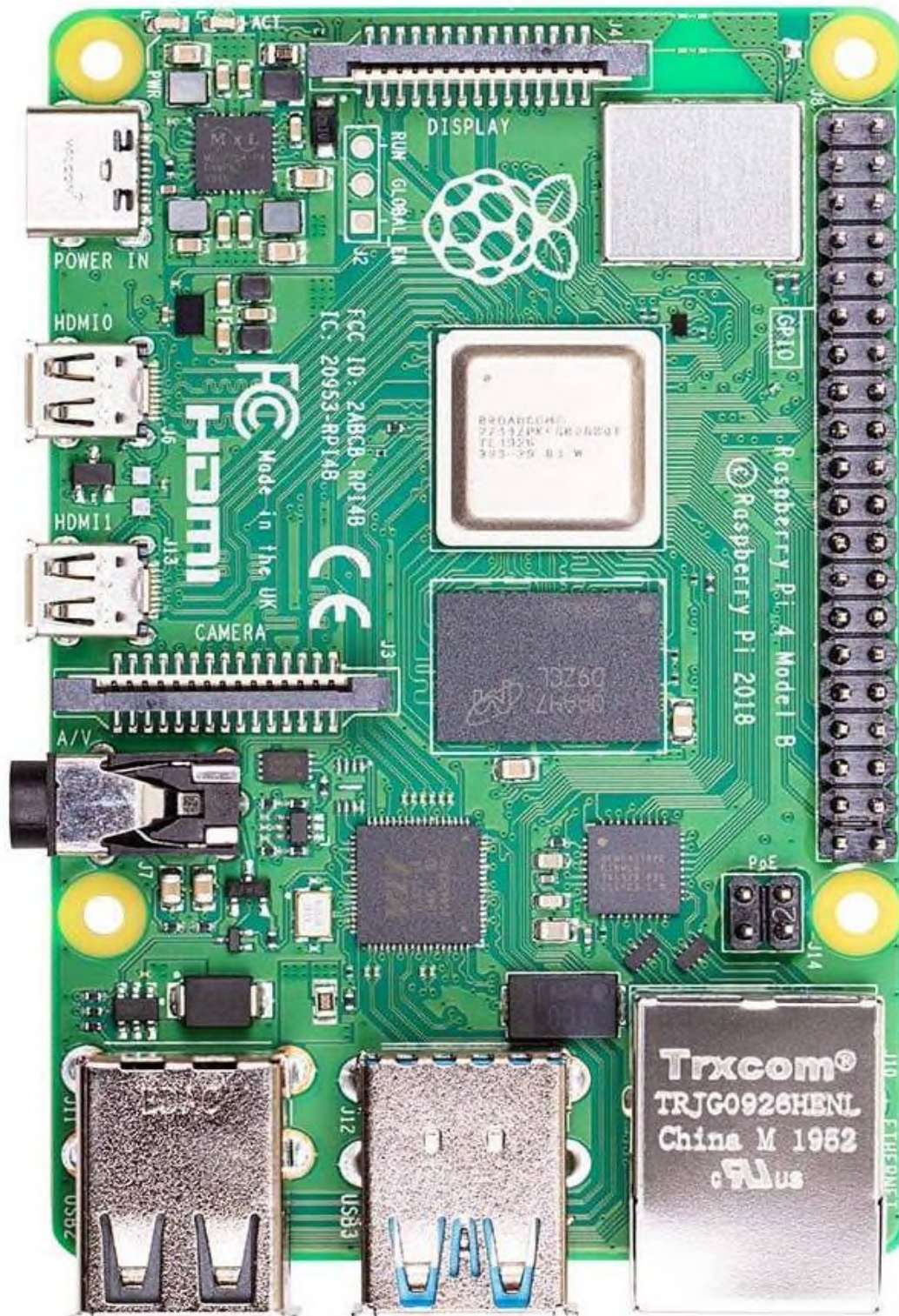


Fasten Raspberry Pi Insert

Fasten the Raspberry Pi to the bracket using the M2.5x6 screws (included in the scope of supply).

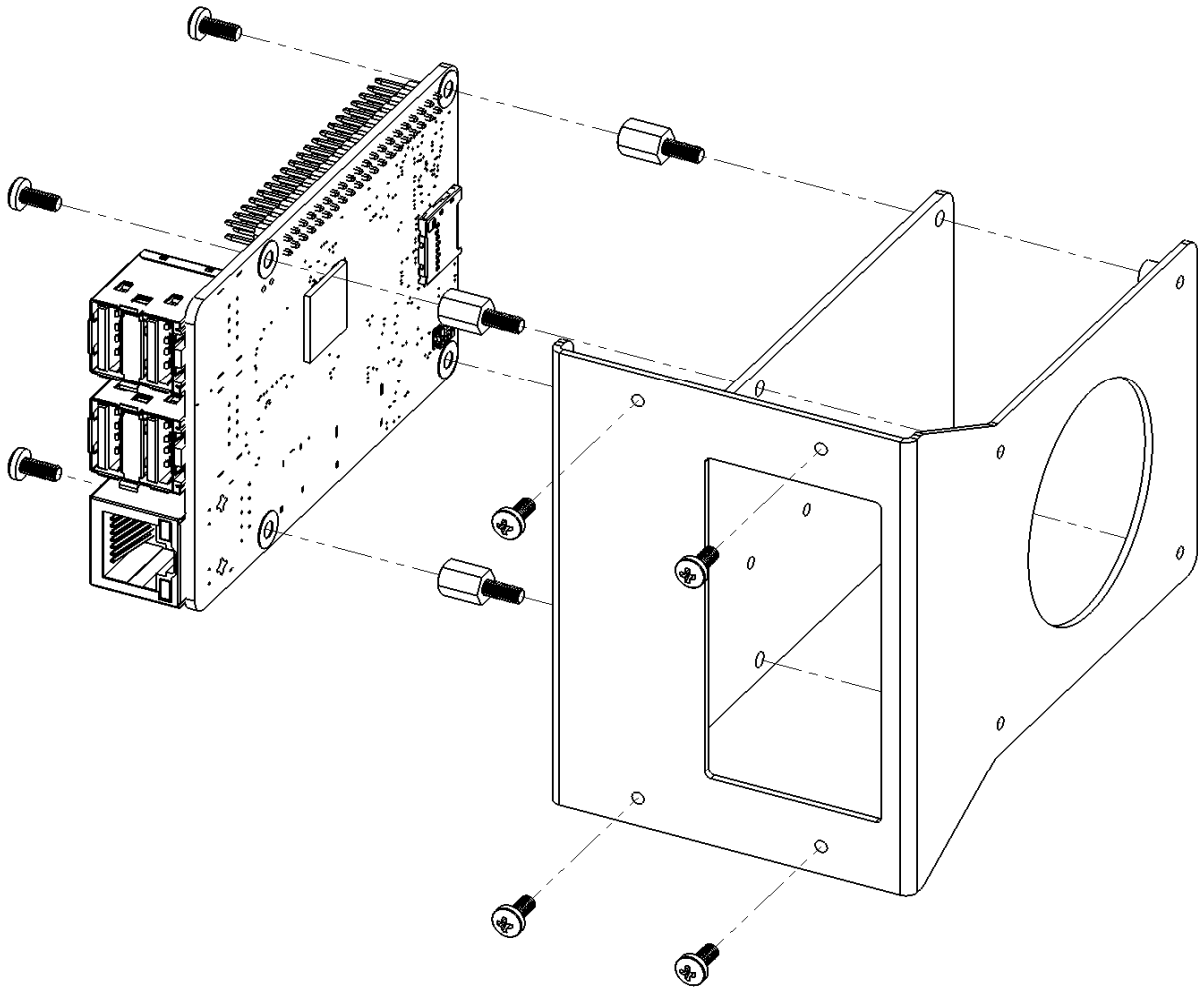
Fasten the **Raspberry Pi Insert** to the Rack Mount Kit using the M2.5x6 screws (included in the scope of supply).

Raspberry Pi board (top view)



Assembly instructions Raspberry Pi Insert zr-sbc-905 (E)



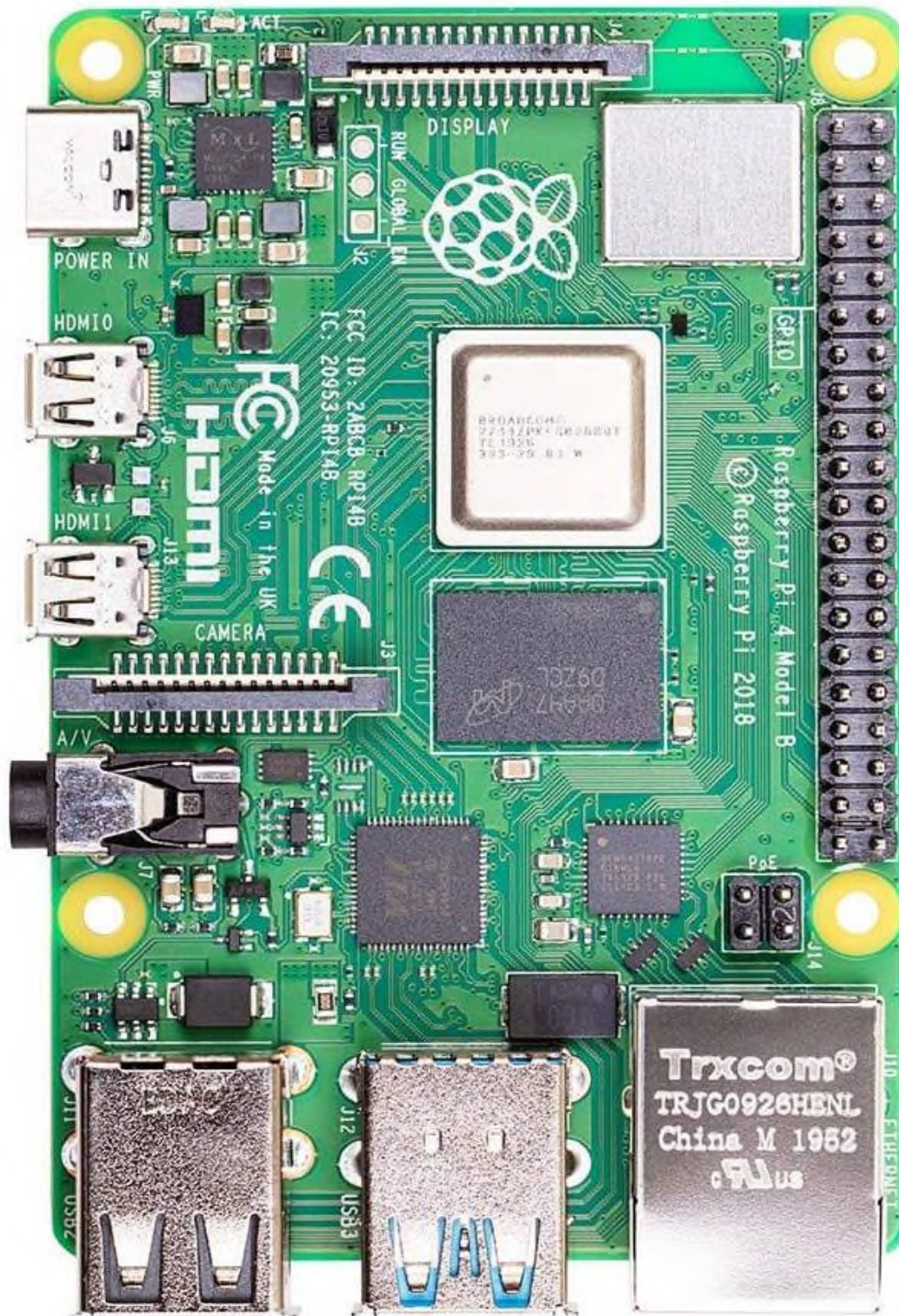


Fasten Raspberry Pi Insert

Fasten the Raspberry Pi to the bracket using the M2.5x6 screws (included in the scope of supply).

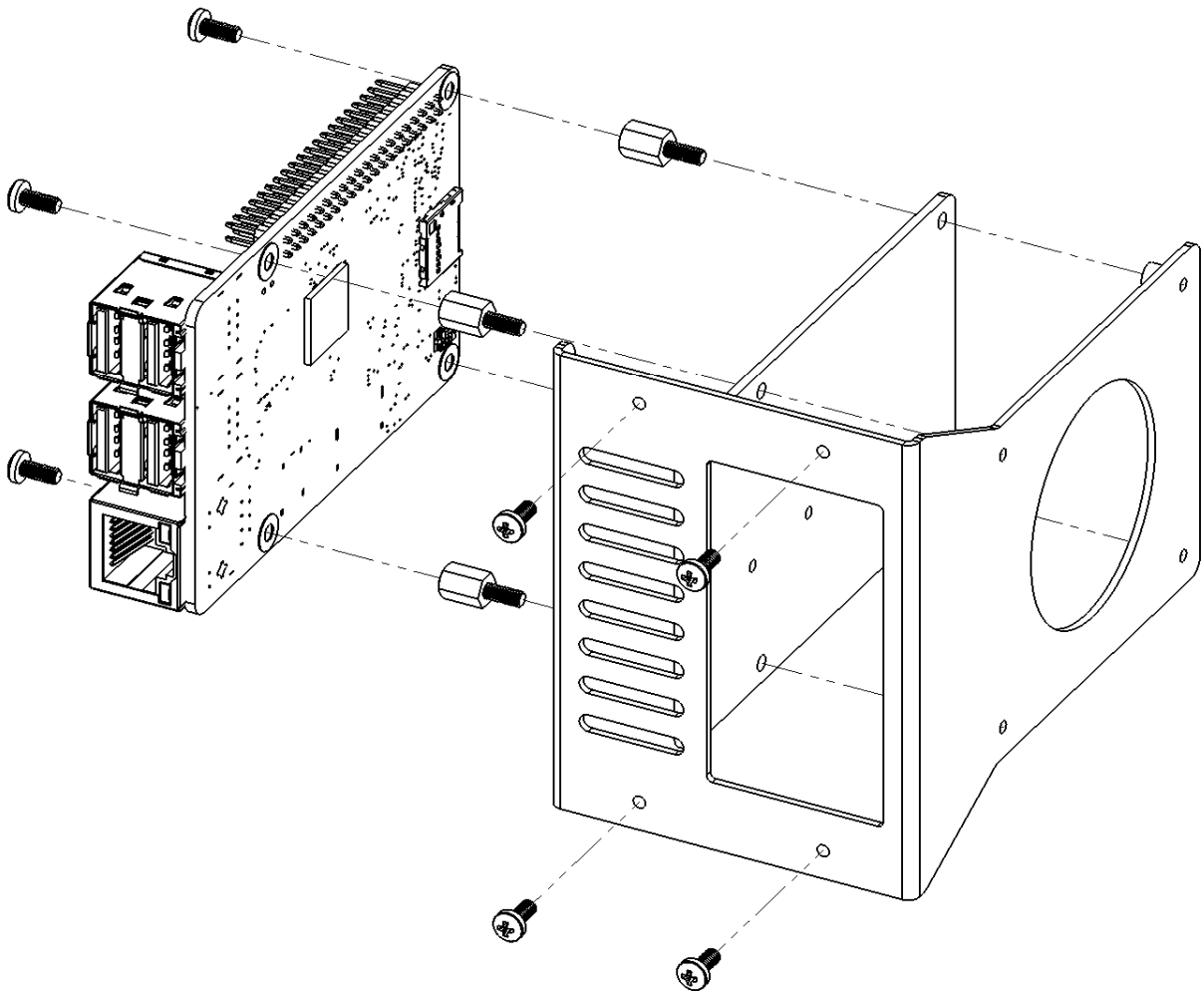
Fasten the **Raspberry Pi Insert** to the Rack Mount Kit using the M2.5x6 screws (included in the scope of supply).

Raspberry Pi board (top view)



Assembly instructions Raspberry Pi Insert zr-sbc-906 (F)



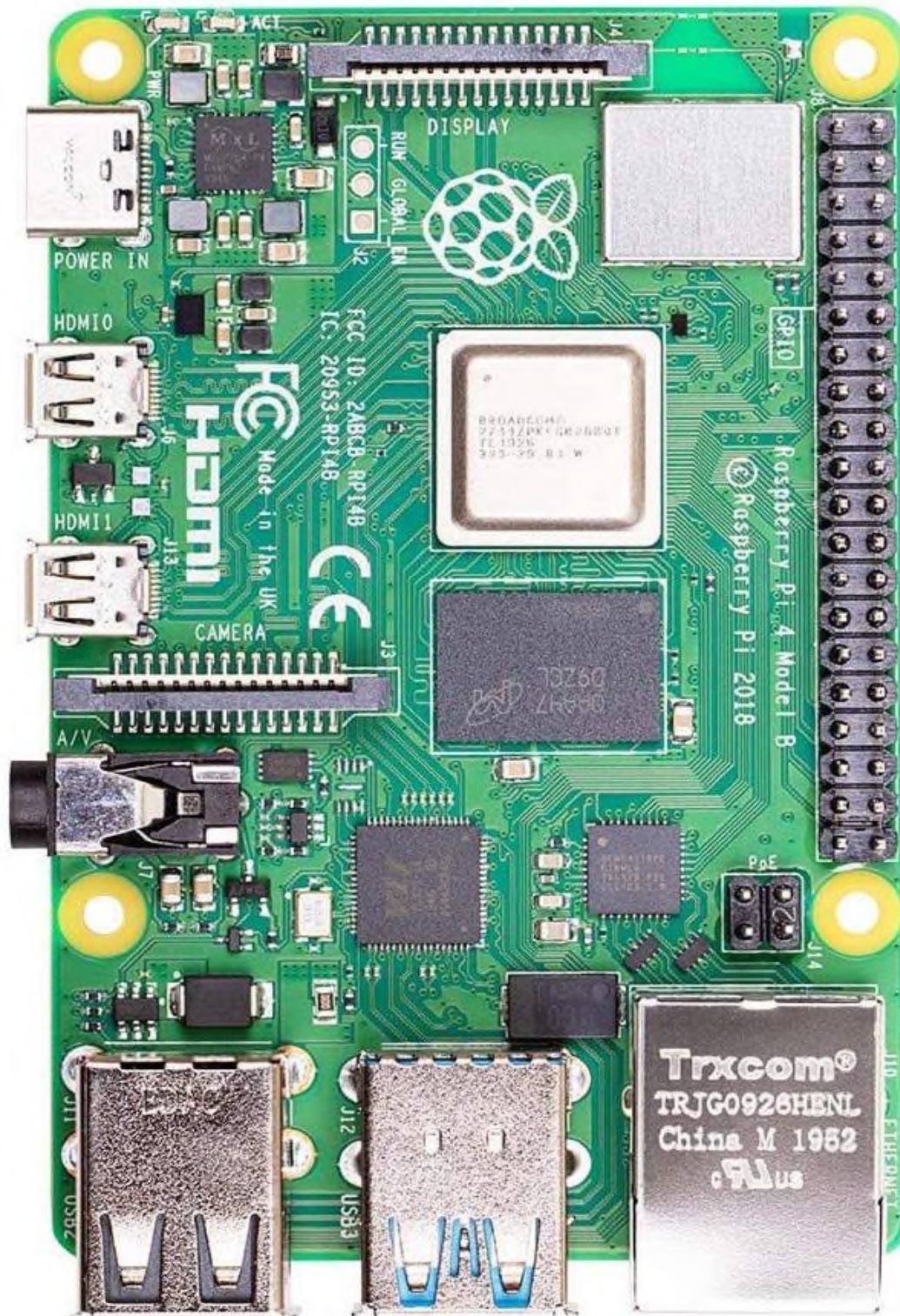


Fasten Raspberry Pi Insert

Fasten the Raspberry Pi to the bracket using the M2.5x6 screws (included in the scope of supply).

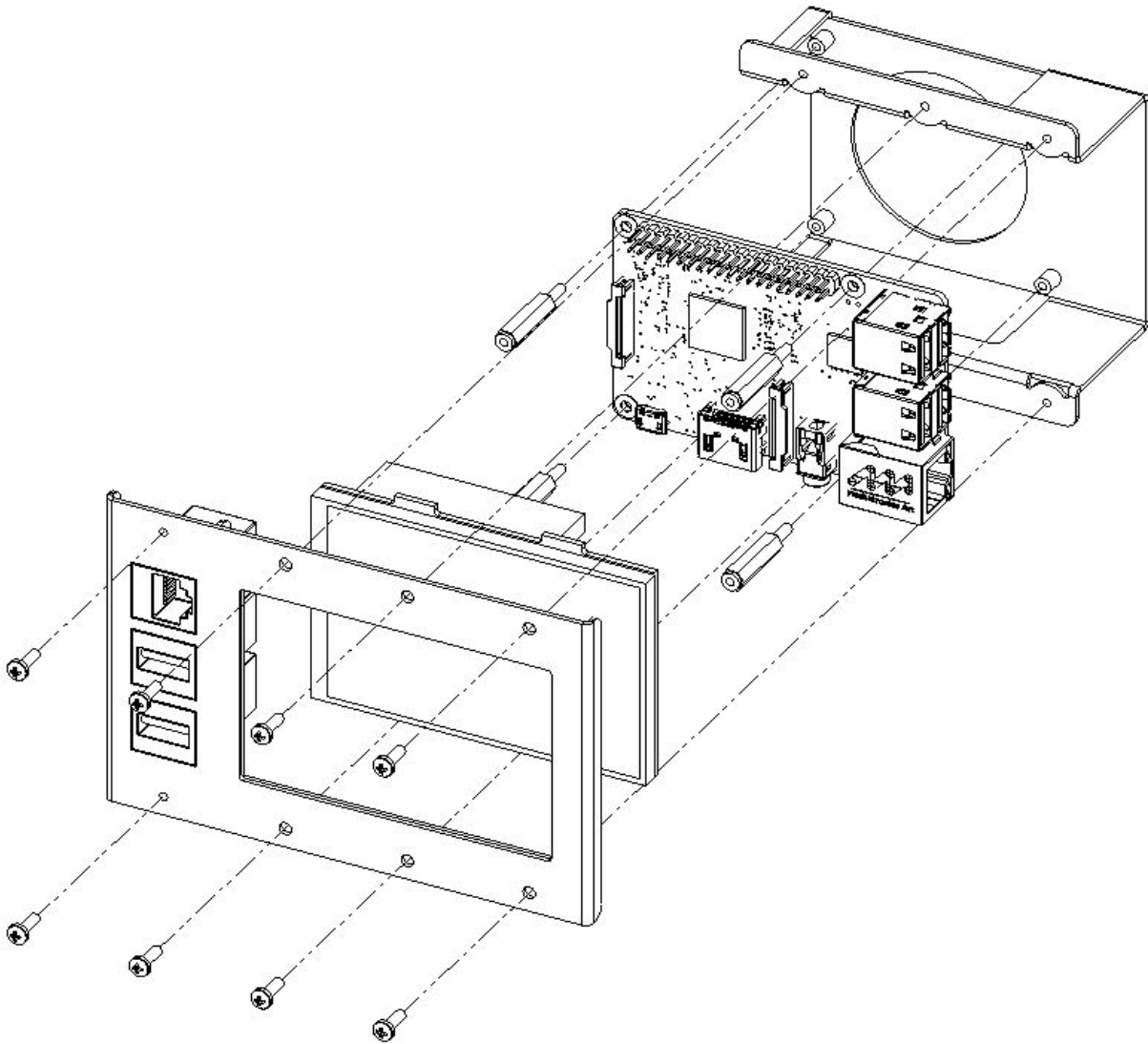
Fasten the **Raspberry Pi Insert** to the Rack Mount Kit using the M2.5x6 screws (included in the scope of supply).

Raspberry Pi board (top view)



**Assembly instructions
3.5" TFT Display Insert
zr-sbc-907 (G)**





Fasten the display bracket

Fasten the Raspberry Pi to the bracket using the hex spacers M2.5x20 (included in the scope of supply).

Fasten the display on the Raspberry Pi.

Fasten the **Display Insert** to the Rack Mount Kit using the M2.5x6 screws (included in the scope of supply).



3.5Inch TFT Display

Technical specification










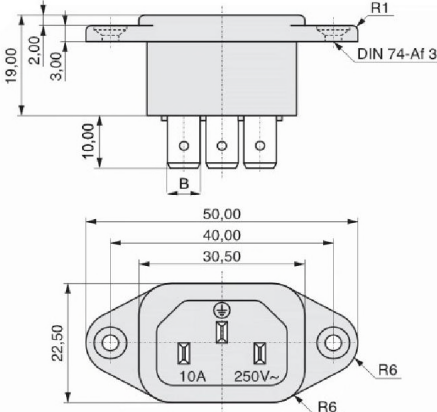
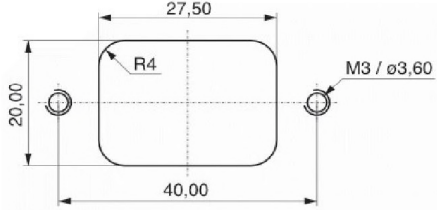

With the 3.5 Inch TFT Touchscreen-Display you can easily build a Mini-Tablet-PC based on an Raspberry Pi. The display, with a maximum resolution of 480x320 pixels, can be attached to the GPIO connections so that you won't need any mounting-skills.

Model	RB-TFT3.5
Resolution	480x320
Touchscreen Type	Resistiv
Touchscreen Controller	XPT2046
Colors	65536
Backlight	LED
Connection	GPIO Header
Display Ratio	8:5
Display Size	85 x 56 (mm)
EAN	4250236815114

Assembly instructions
C14 Connector Insert
zr-sbc-908 (H1)
zr-sbc-908 (H2)










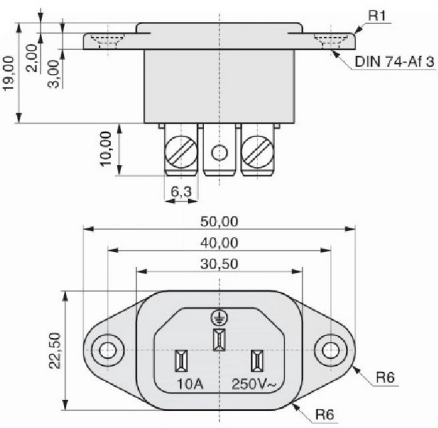
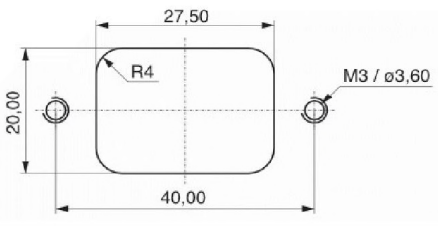

H1 – IEC C14 Connector (6.3mm Quick Connect)

Order code: 42R024212																							
In-/Outlets according to IEC 60320	42R02																						
 <p>Power inlets and outlets according to IEC 60320. All common variations for different current loads and terminations.</p>	<table> <tr> <td>Rated current IEC</td> <td>10,0 A</td> </tr> <tr> <td>Rated current UL</td> <td>15,0 A</td> </tr> <tr> <td>Connection type</td> <td>Plug-in connection</td> </tr> <tr> <td>Design</td> <td>Inlet</td> </tr> <tr> <td>No of fuses</td> <td>0</td> </tr> <tr> <td>Switch</td> <td>Without</td> </tr> <tr> <td>Voltage selector</td> <td>Without</td> </tr> <tr> <td>Approvals</td> <td></td> </tr> <tr> <td>Color</td> <td>black</td> </tr> <tr> <td>Contact arrangement</td> <td>C14 (2) </td> </tr> <tr> <td>Connection Type</td> <td>Plug-in connection 6,3 (2)</td> </tr> </table>	Rated current IEC	10,0 A	Rated current UL	15,0 A	Connection type	Plug-in connection	Design	Inlet	No of fuses	0	Switch	Without	Voltage selector	Without	Approvals		Color	black	Contact arrangement	C14 (2) 	Connection Type	Plug-in connection 6,3 (2)
Rated current IEC	10,0 A																						
Rated current UL	15,0 A																						
Connection type	Plug-in connection																						
Design	Inlet																						
No of fuses	0																						
Switch	Without																						
Voltage selector	Without																						
Approvals																							
Color	black																						
Contact arrangement	C14 (2) 																						
Connection Type	Plug-in connection 6,3 (2)																						
																							
																							
Order code: 42R024212																							
	MPE Garry GmbH Schäfflerstraße 13 87629 Füssen/Germany																						
	Telefon: +49 (0) 83 62 / 91 56-0 Fax: +49 (0) 83 62 / 91 56-500 E-Mail: vk@mpe-connector.de																						
Creation date: 23.06.2022, Internet: https://www.mpe-connector.de/en/products/in-outlets-according-to-iec-60320/k-b-device-plug-with-plug-connection/42r02-4#42R024212																							

Installation

This device plug may only be connected by certified specialists.

H2 – IEC C14 Connector (6.3mm Screw Connect)

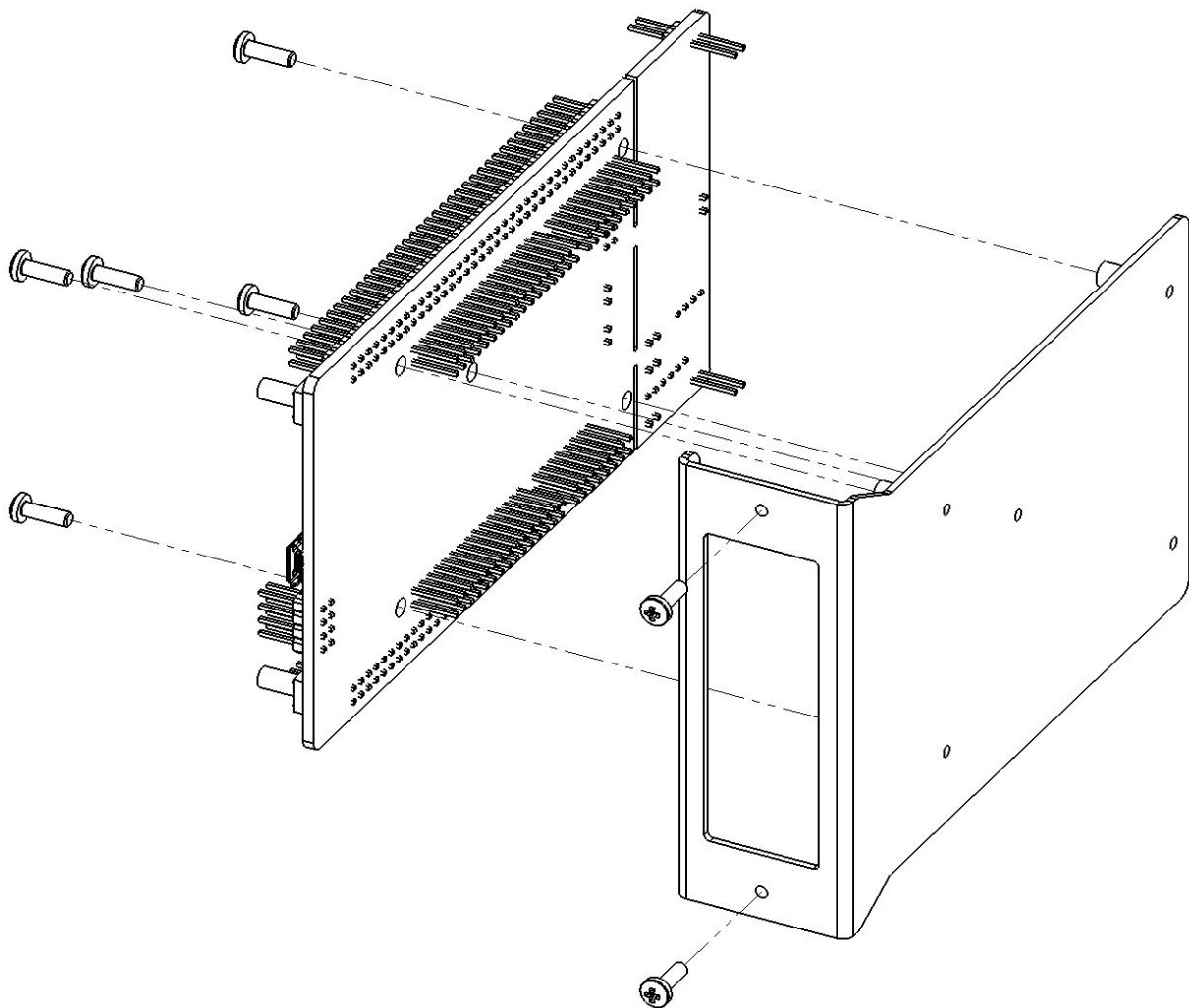
Order code: 42R014122																					
In-/Outlets according to IEC 60320	42R01																				
 <p>Power inlets and outlets according to IEC 60320. All common variations for different current loads and terminations.</p>	<table> <tr> <td>Rated current IEC</td> <td>10,0 A</td> </tr> <tr> <td>Rated current UL</td> <td>15,0 A</td> </tr> <tr> <td>Connection type</td> <td>screw connection</td> </tr> <tr> <td>Design</td> <td>Inlet</td> </tr> <tr> <td>No of fuses</td> <td>0</td> </tr> <tr> <td>Switch</td> <td>Without</td> </tr> <tr> <td>Voltage selector</td> <td>Without</td> </tr> <tr> <td>Approvals</td> <td></td> </tr> <tr> <td>Color</td> <td>black</td> </tr> <tr> <td>Contact arrangement</td> <td>C14 (2) </td> </tr> </table>	Rated current IEC	10,0 A	Rated current UL	15,0 A	Connection type	screw connection	Design	Inlet	No of fuses	0	Switch	Without	Voltage selector	Without	Approvals		Color	black	Contact arrangement	C14 (2) 
Rated current IEC	10,0 A																				
Rated current UL	15,0 A																				
Connection type	screw connection																				
Design	Inlet																				
No of fuses	0																				
Switch	Without																				
Voltage selector	Without																				
Approvals																					
Color	black																				
Contact arrangement	C14 (2) 																				
																					
																					
Order code: 42R014122																					
	MPE Garry GmbH Schäfflerstraße 13 87629 Füssen/Germany E-Mail: vk@mpe-connector.de																				
	Telefon: +49 (0) 83 62 / 91 56-0 Fax: +49 (0) 83 62 / 91 56-500 E-Mail: vk@mpe-connector.de																				
Creation date: 23.06.2022, Internet: https://www.mpe-connector.de/en/products/in-outlets-according-to-iec-60320/k-b-device-plug-with-screw-connection/42r01-4#42R014122																					

Installation

This device plug may only be connected by certified specialists.

**Assembly instructions
Nucleo-144 Insert
zr-sbc-909 (J)**



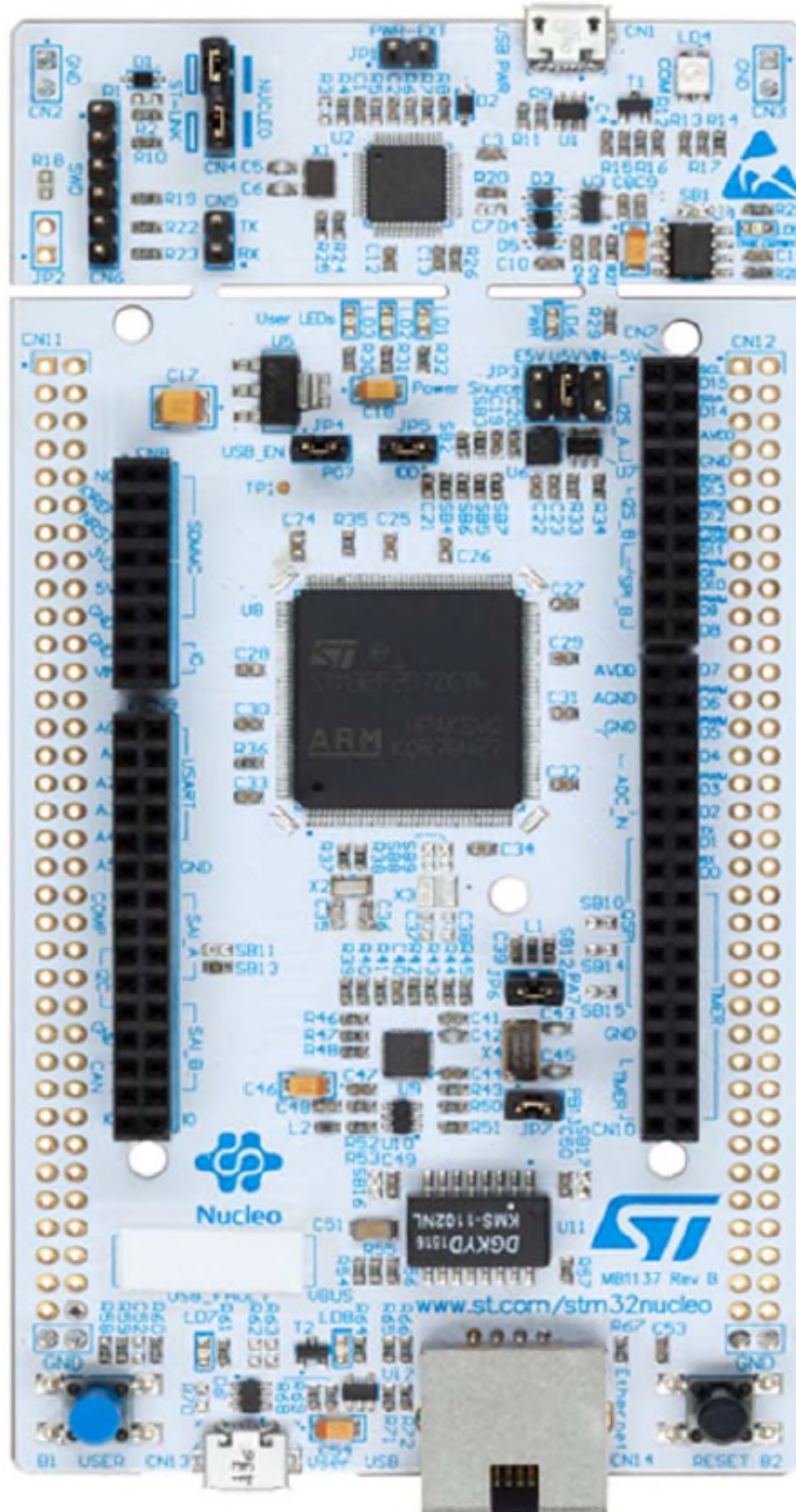


Fasten Nucleo-144 Insert

Fasten the Nucleo-144 to the bracket using the M2.5x6 screws (included in the scope of supply).

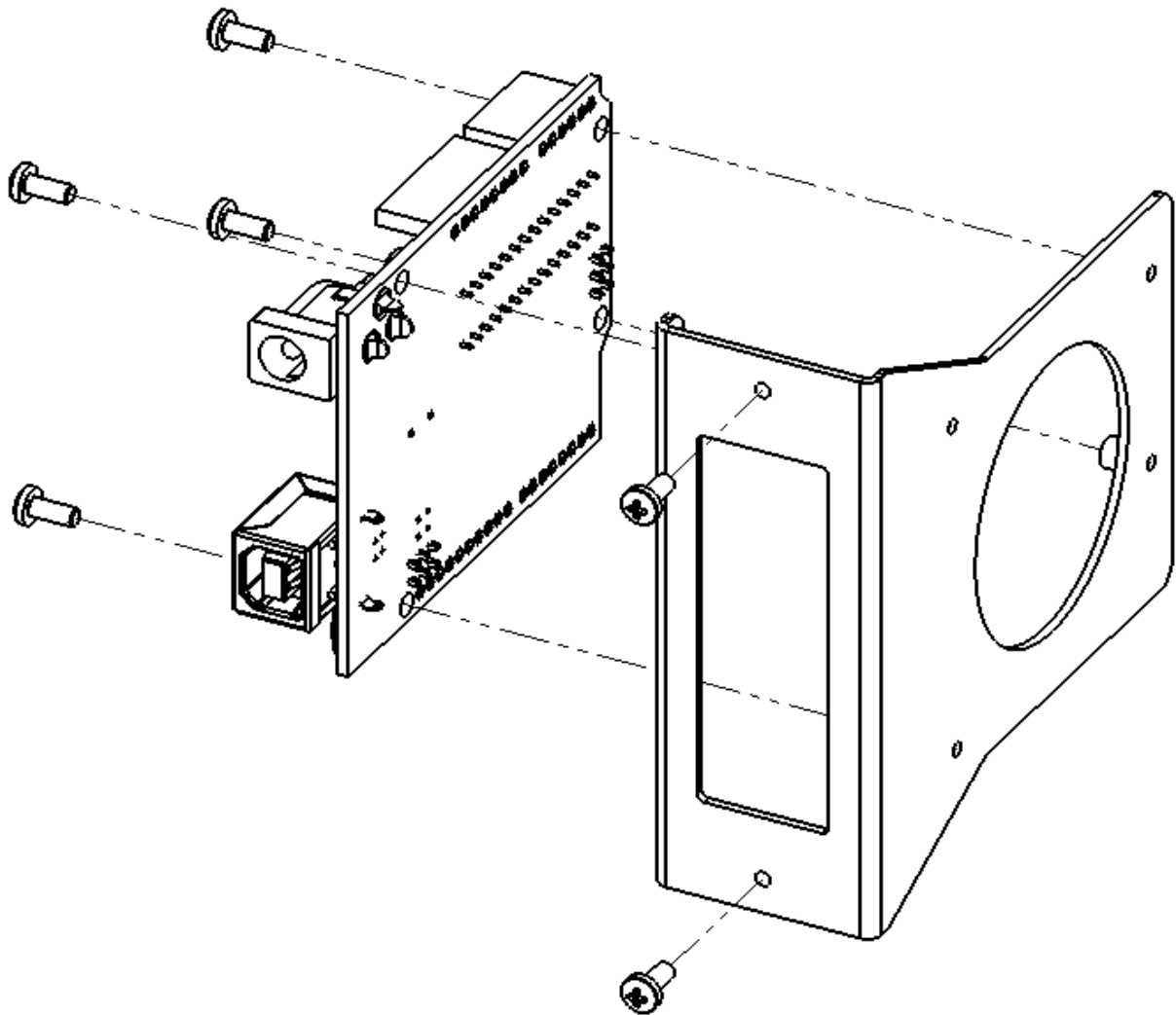
Fasten the **Nucleo-144 Insert** to the Rack Mount Kit using the M2.5x6 screws (included in the scope of supply).

Nucleo-144 board (top view)



**Assembly instructions
Arduino UNO/Leonardo Insert
zr-sbc-910 (K)**



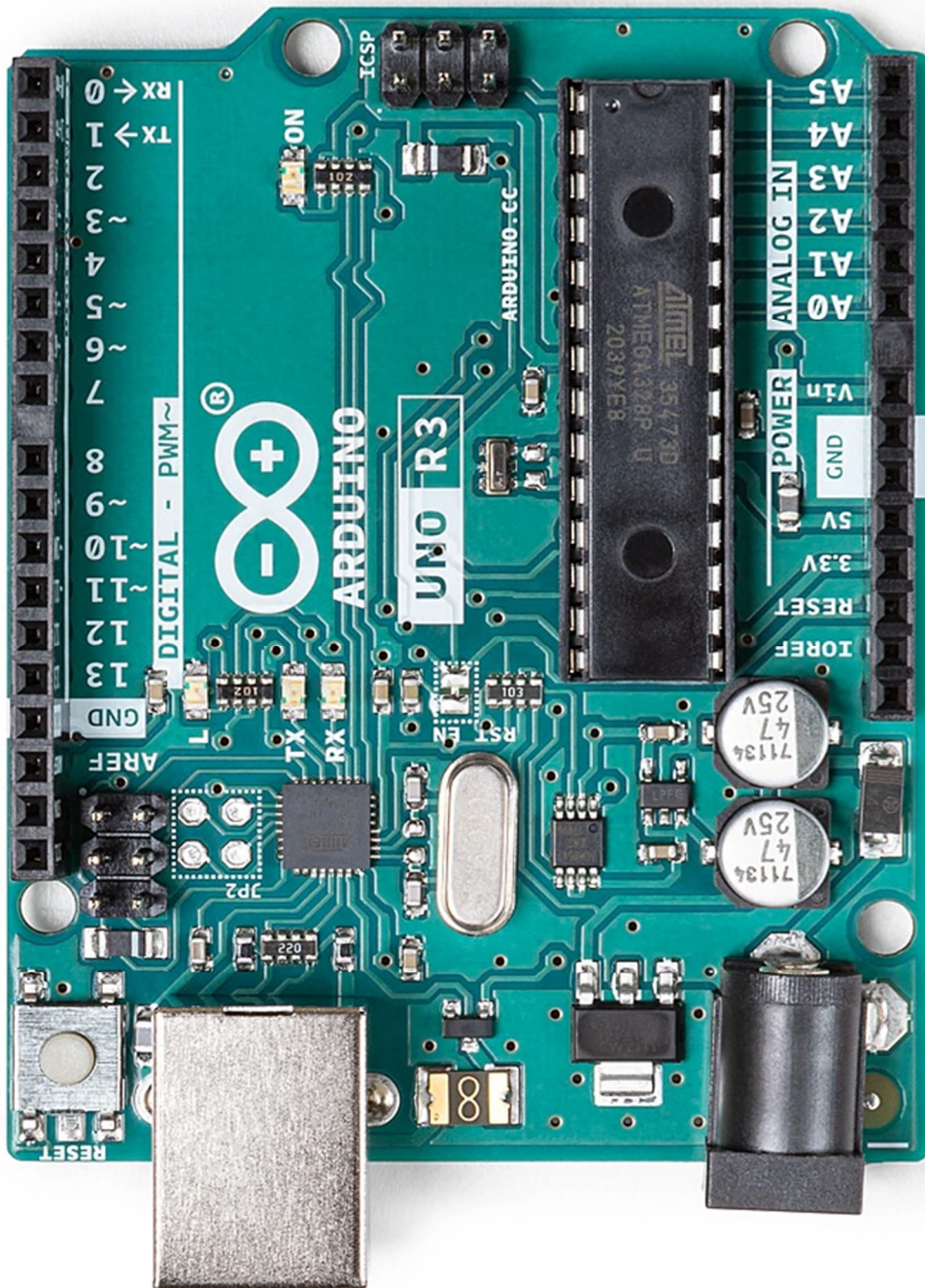


Fasten Arduino UNO Insert

Fasten the Arduino UNO to the bracket using the M2.5x6 screws (included in the scope of supply).

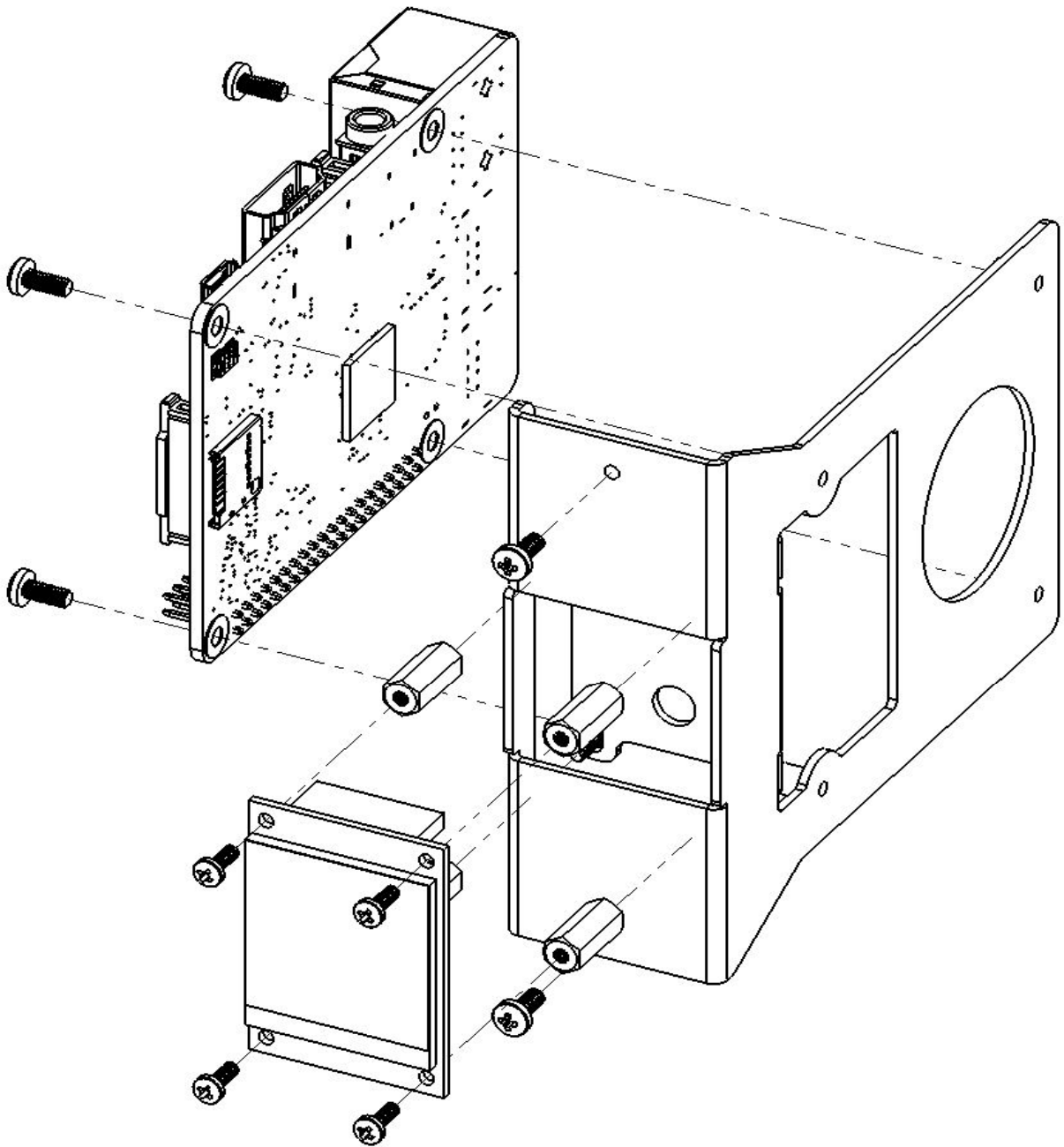
Fasten the **Arduino UNO Insert** to the Rack Mount Kit using the M2.5x6 screws (included in the scope of supply).

Arduino UNO R3 board (top view)



Assembly instructions
1.3" TFT-LCD Display Insert
zr-sbc-911 (L)





Fasten the display bracket

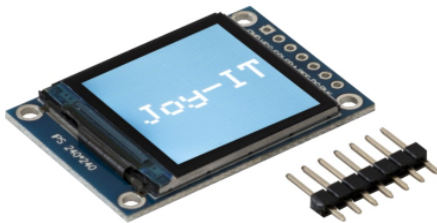
Fasten the Raspberry Pi to the bracket using the M2.5x6 screws (included in the scope of supply).

Fasten the display to the bracket using the hex spacers and the M2.5x6 screws (included in the scope of supply).

Fasten the **Display Insert** to the Rack Mount Kit using the M2.5x6 screws (included in the scope of supply).

SBC-LCD01

1.3-Inch HD IPS TFT LCD



This IPS TFT display is controlled via SPI. This makes it suitable for use as an output device for micro-controllers (e.g. NodeMCU) and single-board computers (e.g. Raspberry Pi). By using a high-resolution IPS panel with a pixel density of over 260 PPI, content can be displayed in high-resolution on the compact display.



Published: 29.09.2020

MAIN FEATURES

Type	Full color IPS TFT-LCD
Resolution	240 x 240 Pixel
Control chip	ST7789VW
Interfaces	SPI
Dimensions	30 x 27 x 10 mm
Items delivered	SBC-LCD01

FURTHER SPECIFICATIONS

Supply voltage	3.3 V
Supply current	8 - 10 mA
Logic level voltage	3.3 V
Brightness	300- 350 cd/m ²
Contrast	640-800 : 1
Response time	30-35 ms
Operation temperature	-20 °C - 70 °C

FURTHER DETAILS

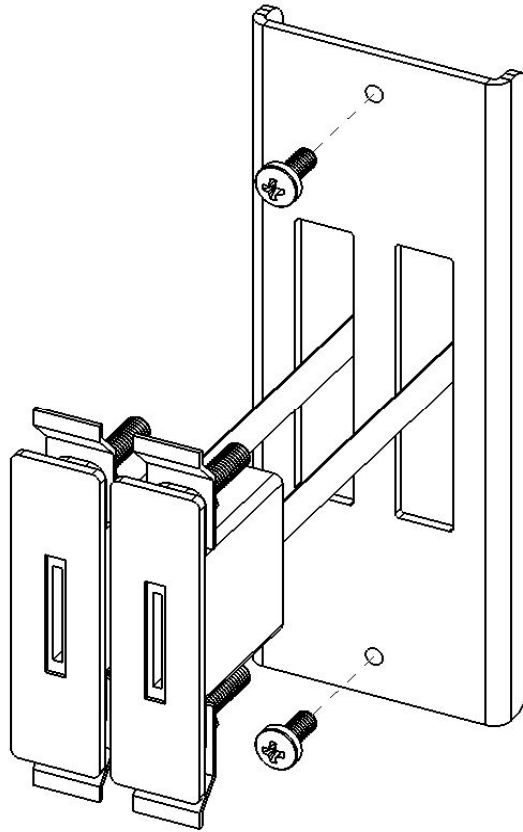
Article No.	SBC-LCD01
EAN:	4250236820330
Customs Tariff No.	8473302000

www.joy-it.net

SIMAC Electronics GmbH,
Pascalstr. 8, 47506 Neukirchen-Vluyn

**Assembly instructions
MicroSD Insert
zr-sbc-912 (M)**





Fasten Build-in socket

Fasten the build-in socket to the bracket using the screws (included in the scope of supply).

Fasten the **MicroSD Insert** to the Rack Mount Kit using the M2.5x6 screws (included in the scope of supply).

RIBU Elektronik e.U.

www.ribu.at * office1@ribu.at * Tel. 0043 3172 64800

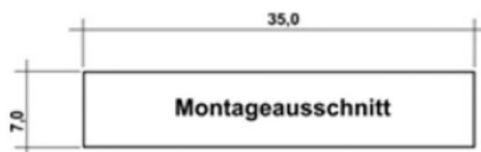
MicroSD Einbaubuchse mit Verlängerungskabel und MicroSD-Stecker



Viele elektronische Produkte wie Handy, Tablets, Controller Boards oder auch Mini-Computer (z. B. Raspberry Pi), Touch-Displays usw. verwenden heute MicroSD Speicherkarten und haben daher eine MicroSD - Buchse eingebaut. Wirklich sehr praktisch, wenn man die SD-Karte nicht oft tauschen muss. Die MicroSD-Buchse ist oft gar nicht oder sehr schwer zugänglich. Wenn z. B. eine fertige Anwendung mit einem Raspberry Pi in ein Gehäuse eingebaut werden soll, ist es meist alles andere als einfach, diese MicroSD-Buchse von außen zugänglich zu machen. Wir haben dafür jetzt eine einfache Lösung! Die RIBU MicroSD Einbaubuchsen mit flexiblen FPC-Kabel in verschiedenen Längen. Der Einbau erfolgt durch einen 35x7mm Ausschnitt in der Frontplatte oder dem Gehäuse.

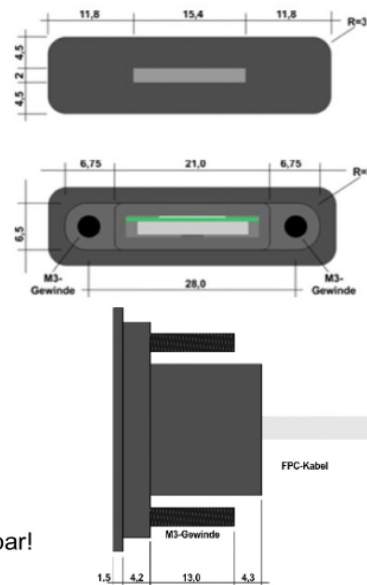
- MicroSD Einbaubuchse aus schwarzem ABS
- MicroSD-Stecker mit vergoldeten Kontakten
- MicroSD-Slot mit "Push-Push"-Funktion
- FPC Kabel in den Längen 9, 14, 19, 24 und 29 cm verfügbar
- Frontplattenausschnitt: 35 x 7 mm
- Frontplattenstärke: 1 bis 11 mm

Lieferung erfolgt inkl. Montagezubehör
 2 x M3-Mutter
 2 x Federstahl-Haltebügel



Auch als MicroSD Verlängerung ohne Einbaugehäuse lieferbar!

Abmessungen Einbaubuchse:



Wichtig! Die sehr hohen Datenübertragungsraten bei den Raspberry Pi Modellen 3 und 4 ermöglichen nur eine Verwendung von Kabellängen bis maximal 14 cm.

