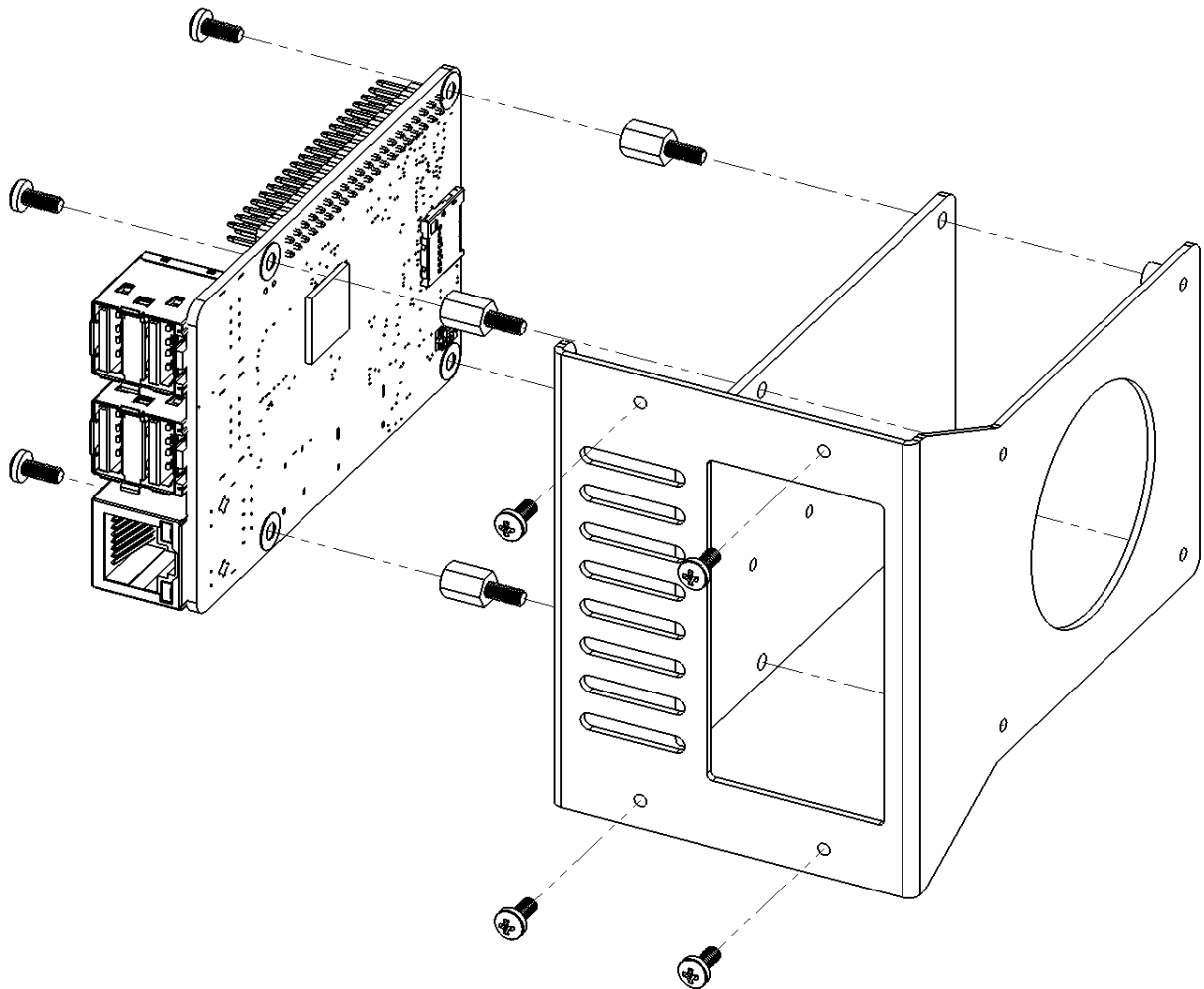


Assembly instructions Raspberry Pi Insert zr-sbc-906 (F)





Fasten Raspberry Pi Insert

Fasten the Raspberry Pi to the bracket using the M2.5x6 screws (included in the scope of supply).

Fasten the **Raspberry Pi Insert** to the Rack Mount Kit using the M2.5x6 screws (included in the scope of supply).

Raspberry Pi board (top view)

