

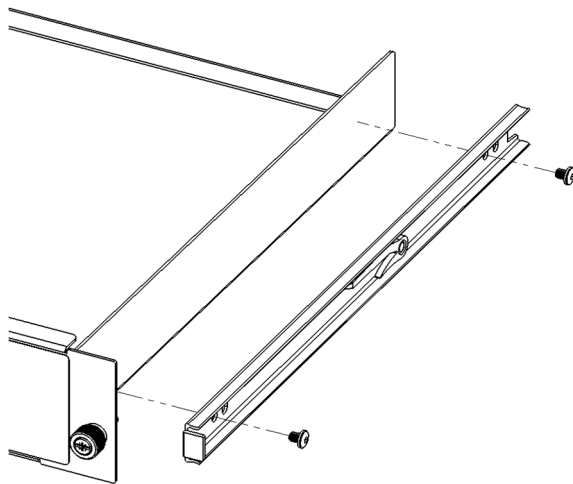
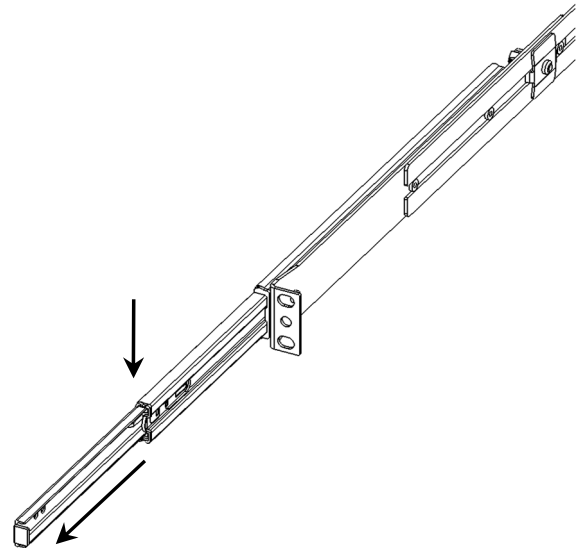
Assembly instructions
Rail System
zr-rak-005

Extension 300mm | Cabinet depths of 400mm to 800mm



1. Prepare assembly

Extend the Rail Systems Kit pull-out element completely and release it from the mounting bracket with the safety hook on the left and on the right side.

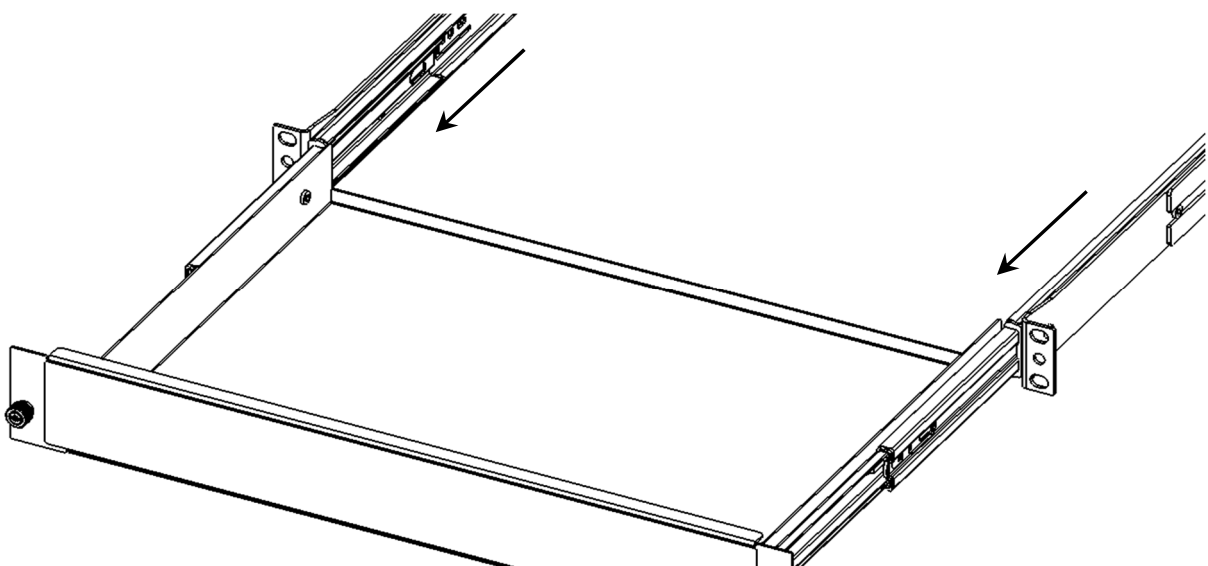


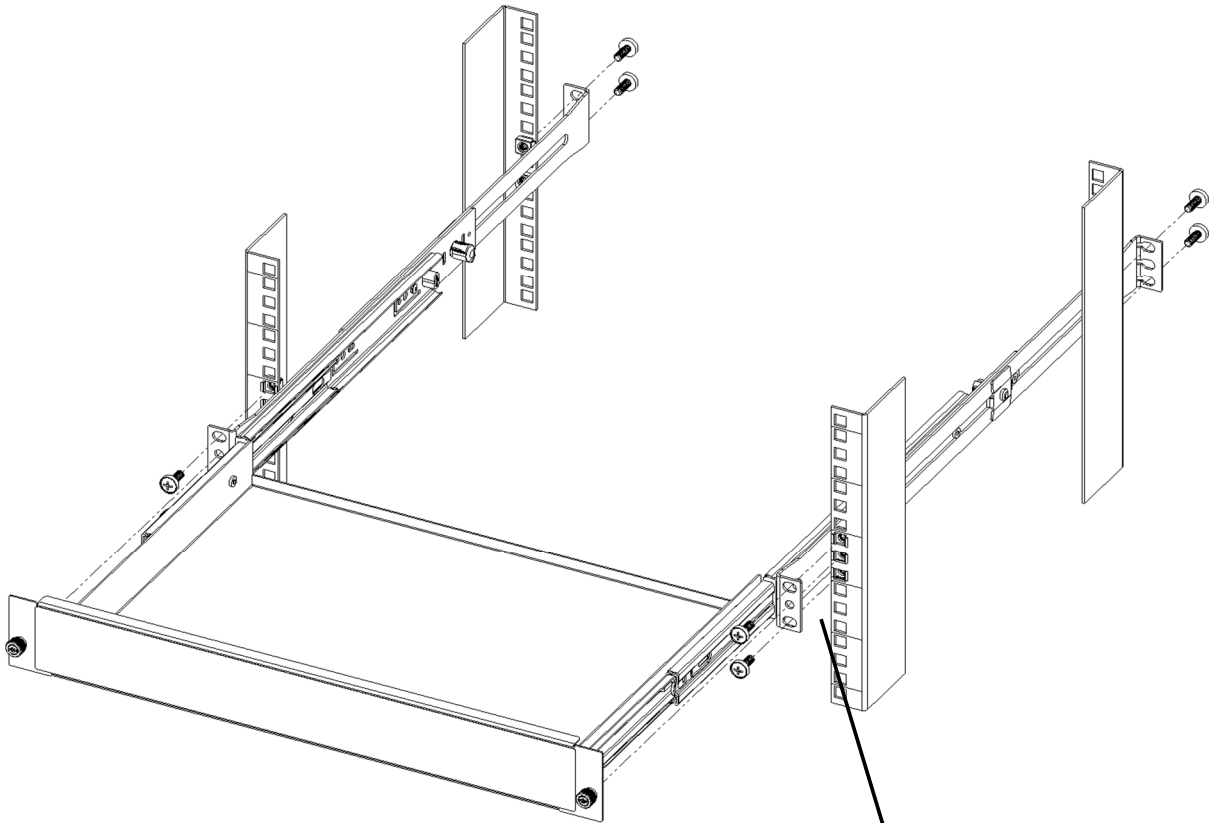
2. Screw the pull-out element to the Rack Mount Kit

Attach the drawer unit to the Rack Mount Kit using the mounting screws M4x5 (included in the scope of supply) on the left and on the right side.

3. Slide the mounting bracket into the Rack Mount Kit

Reconnect the mounting bracket to the Rack Mount Kit. The locking hooks lock themselves. One for the left and one for the right side.





4. Fasten Rack Mount Kit with Rail System in the server cabinet

Position the Rack Mount Kit at the desired height in your server cabinet and fasten it in the server cabinet with the rackmount screws M6x16 (included in the scope of supply).

