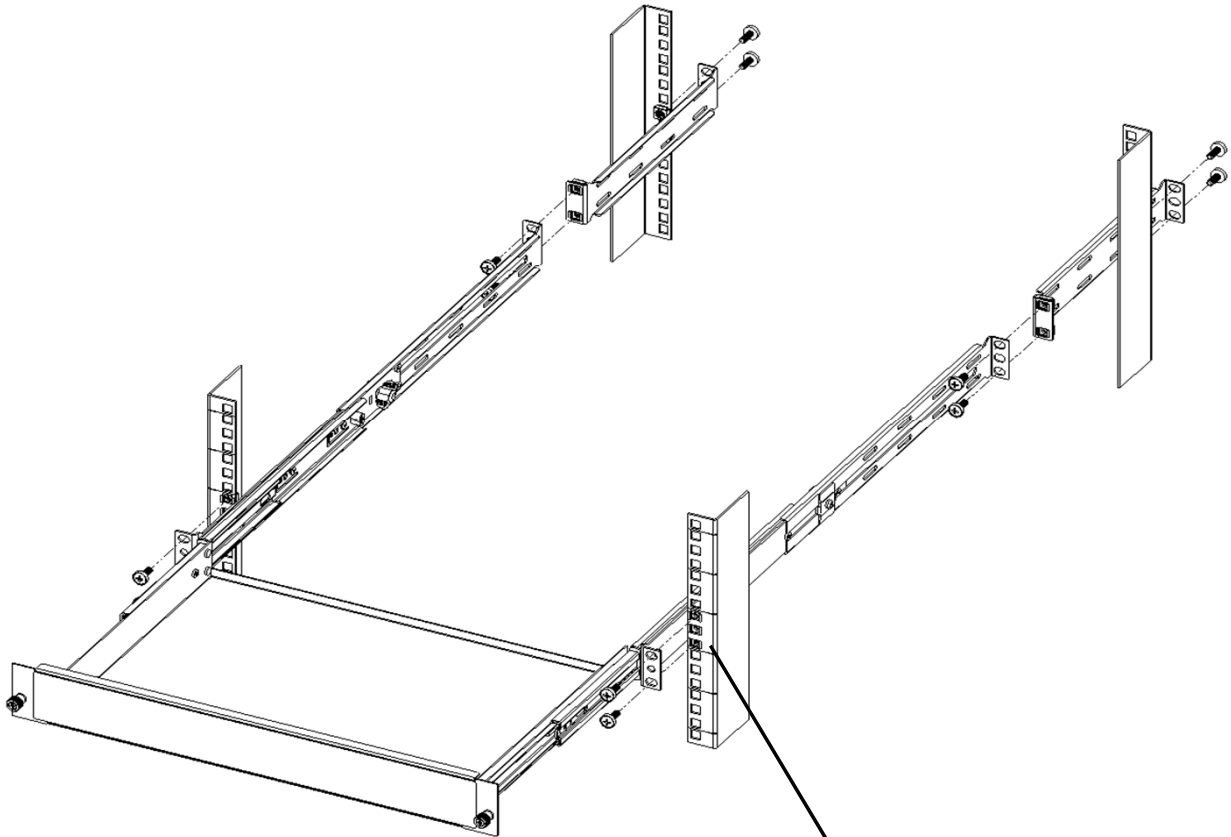


Assembly instructions

Rail System 005

Extension 300mm | Cabinet depths of 400mm to 900mm





Fasten Rack Mount Kit with Rail System in the server cabinet

Position the Rack Mount Kit at the desired height in your server cabinet and fasten it in the server cabinet with the rackmount screws M6x16 (included in the scope of supply).

Cage Nut M6 (black)

Cage Nut M5 (silber)

Cage Nut M6 (black)

