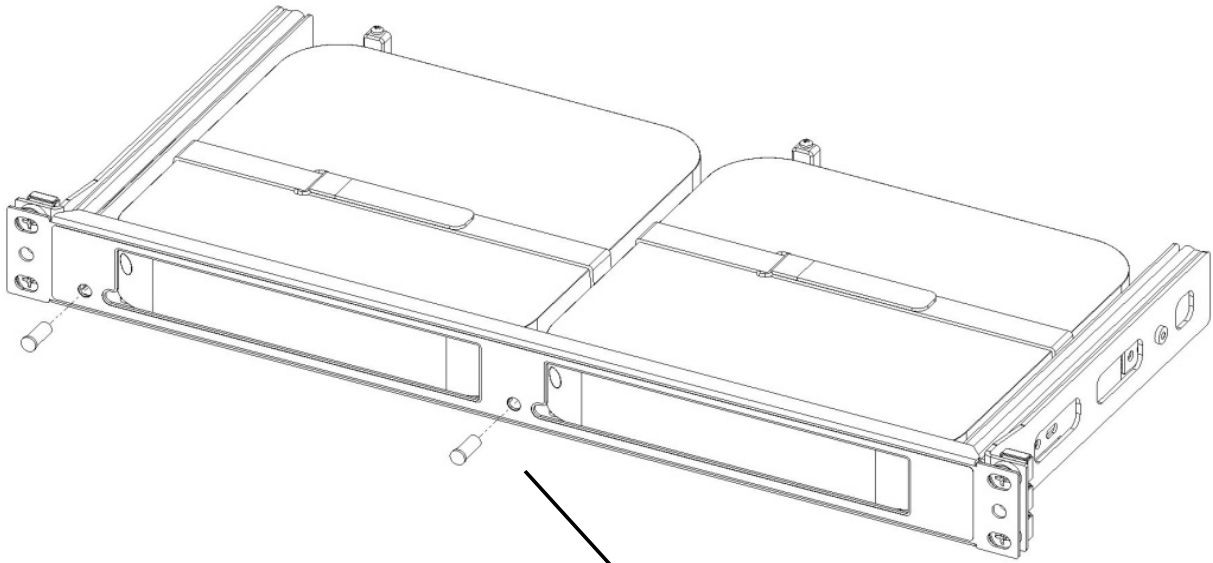


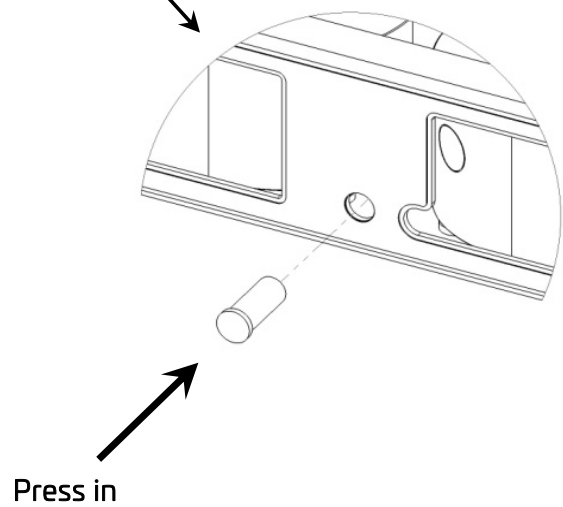
Assembly instructions
LED Light Guide Set
zr-lgs-008
UM-APP-206

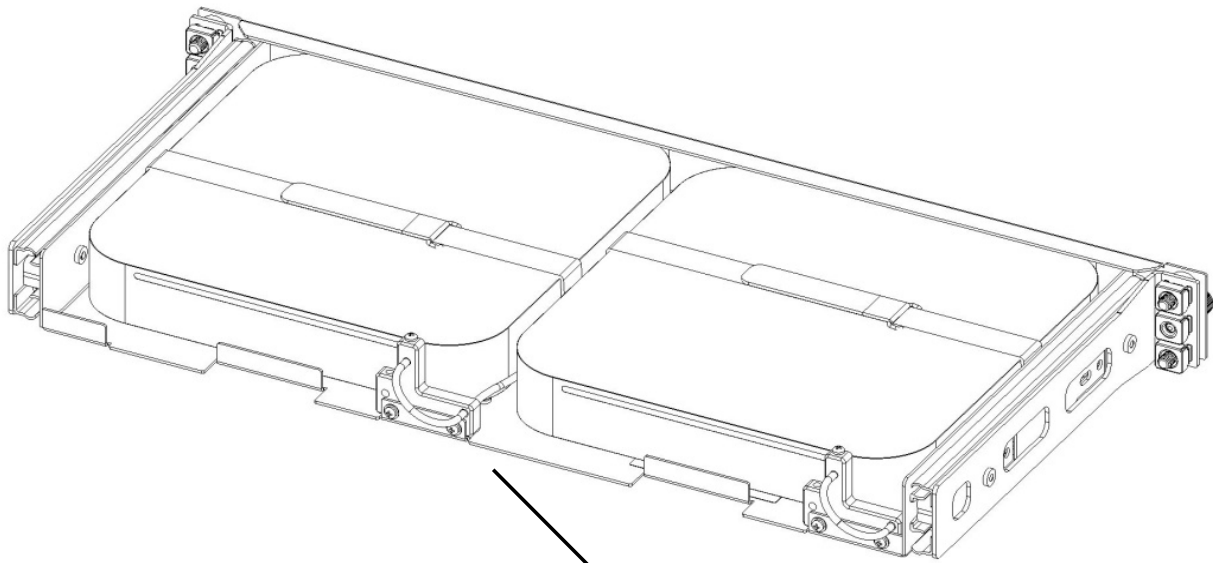




1. Press in lenses

Using moderate pressure, press the lenses into the designated holes in the Rack Mount Kit.





2. Loosely pre-assemble the light pipe holder

Fasten the light pipe holder loosely to the Rack Mount Kit with the fastening screws (included in the scope of supply).

3. Loosely mount the flexible light pipes

Fasten the light pipes loosely to the light pipe holder with the fixing screw (included in the scope of supply).

4. Fasten the light pipe holder and the flexible light pipes

Adjust the light pipes for optimal illumination at the front of the Rack Mount Kit and tighten the screws.

