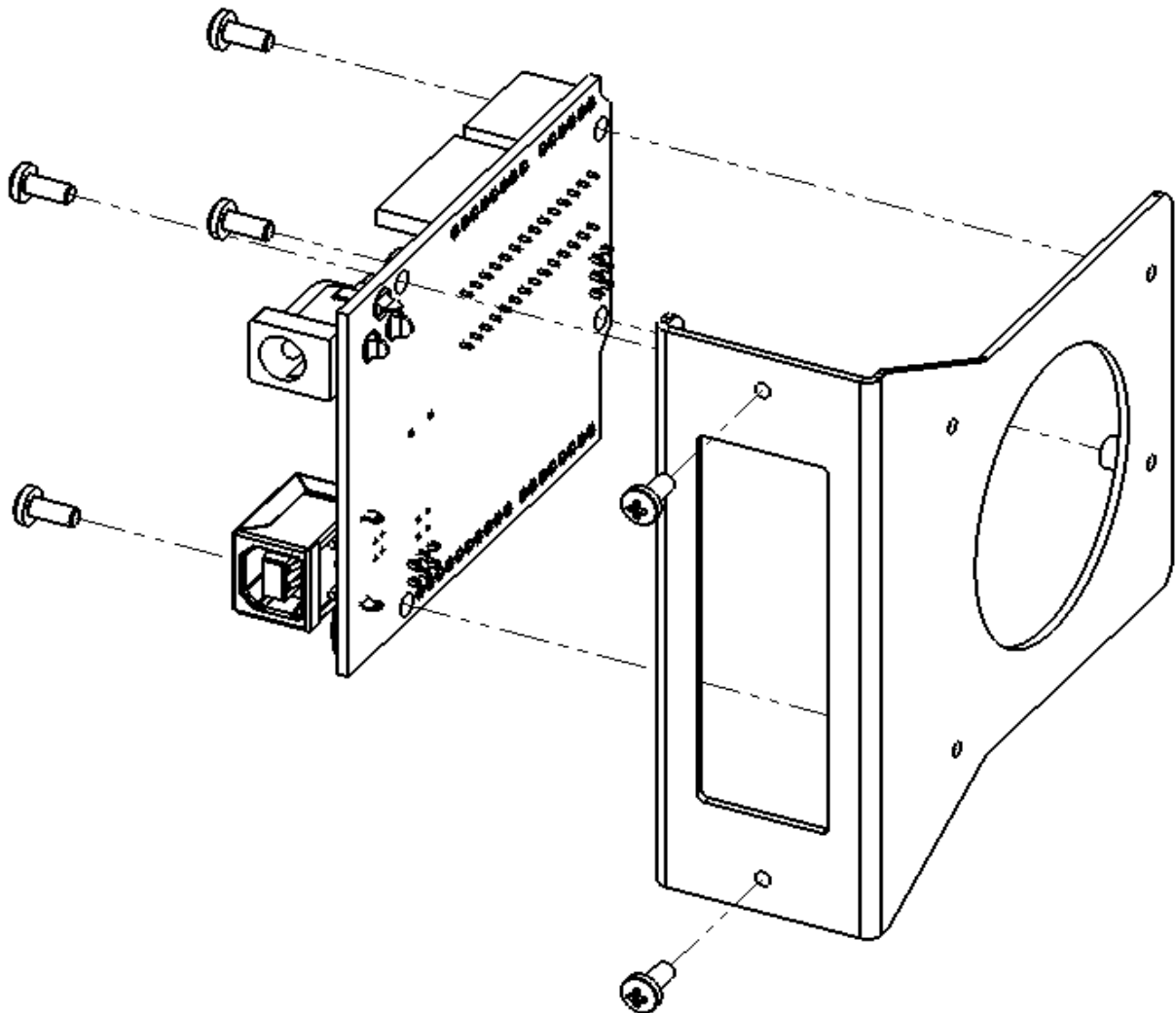


**Assembly instructions
Arduino UNO/Leonardo Insert
zr-sbc-910 (K)**



The smart difference.



Fasten Arduino UNO Insert

Fasten the Arduino UNO to the bracket using the M2.5x6 screws (included in the scope of supply).

Fasten the **Arduino UNO Insert** to the Rack Mount Kit using the M2.5x6 screws (included in the scope of supply).

Arduino UNO R3 board (top view)

