



Cat.6A Keystone Inline Coupler

Part no.: NK4010

Technical Features

Category 6A Class EA 500 MHz

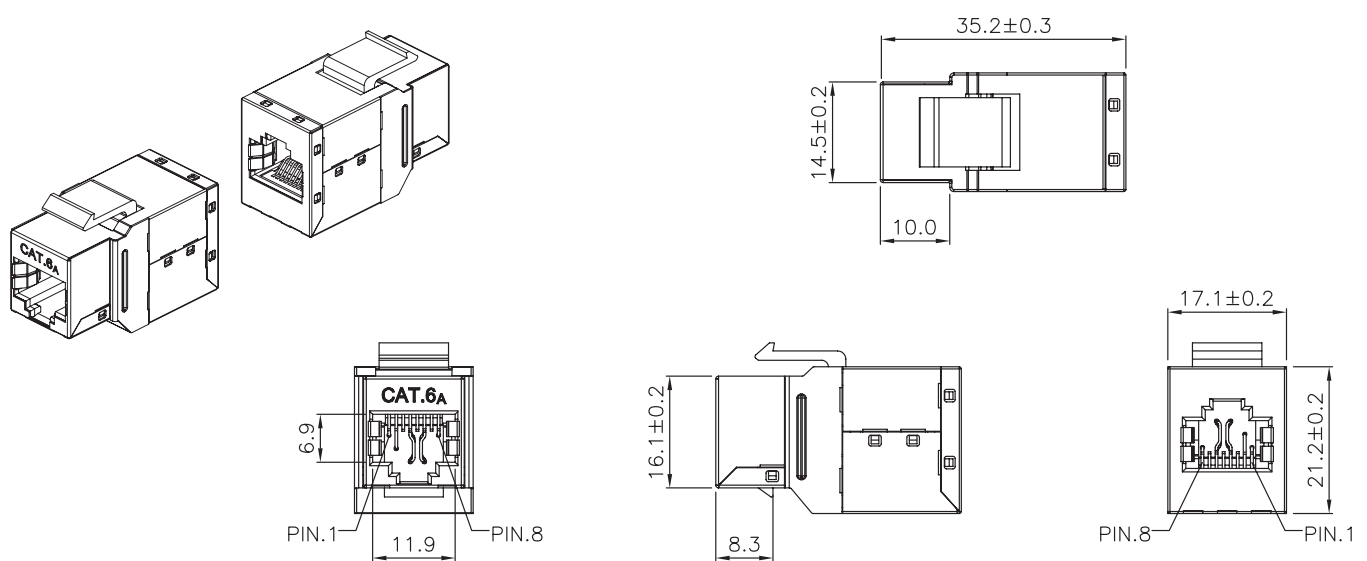
ISO/IEC 11801 and TIA/EIA 568C.2

Snap-in mounting

Pin configuration: 1:1

2x RJ45 jack, fully shielded

Technical Drawings



NK4010



4 052792 027761

Made in China

www.logilink.com



RoHS
compliant



* The specifications and pictures are subject to change without notice.
*All trade names referenced are the registered trademark of their respective owners.

Package Contents

Cat.6A Keystone Inline Coupler x 1

Packaging Informations

Packing Dimension	33 x 22 x 20mm
Packing Weight	0.04g
Carton Dimension	480 x 390 x 253mm
Carton Q'ty	500pcs
Carton Weight	15kg

NK4010



4 052792 027761

Made in China

www.logilink.com



RoHS
compliant



* The specifications and pictures are subject to change without notice.
*All trade names referenced are the registered namework of their respective owners.